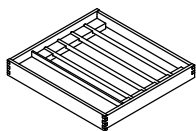


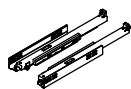
INSTRUCTION GUIDE

PANTS HANGER



1x

EUB-W-WODxx-MIS00x



1x

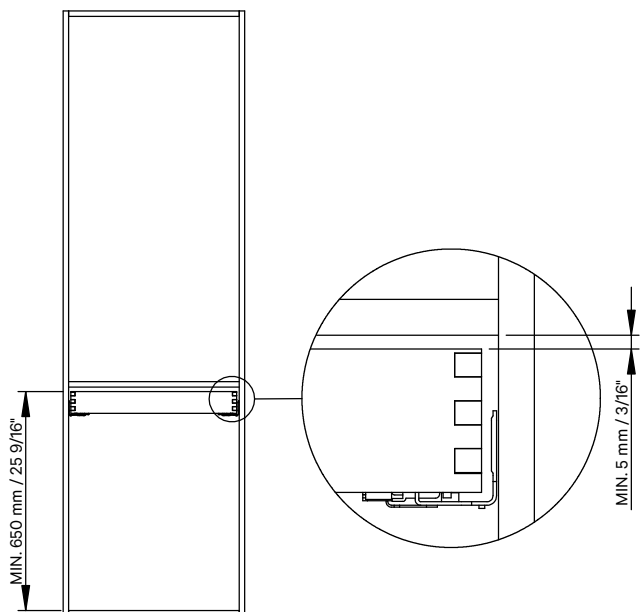


4x



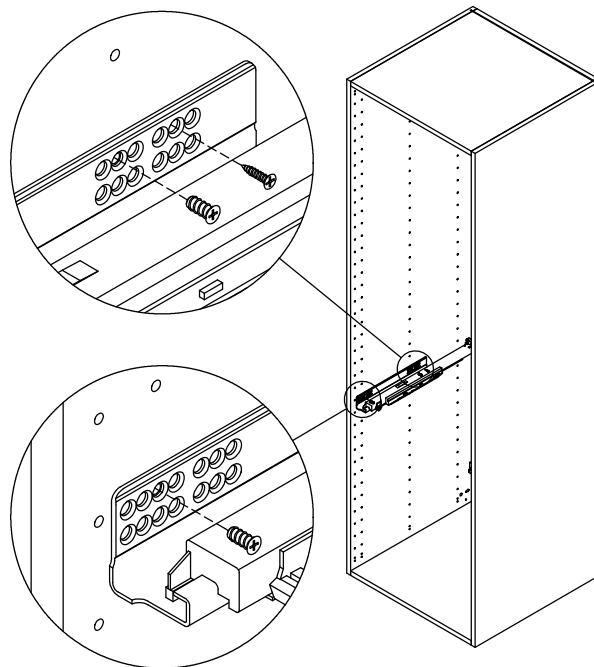
2x

EUB-P-WOD50-HRD003



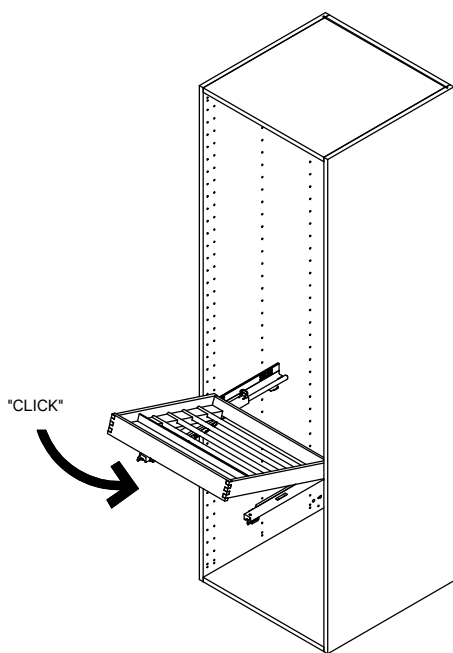
1

Measure the space required for the pants hanger.



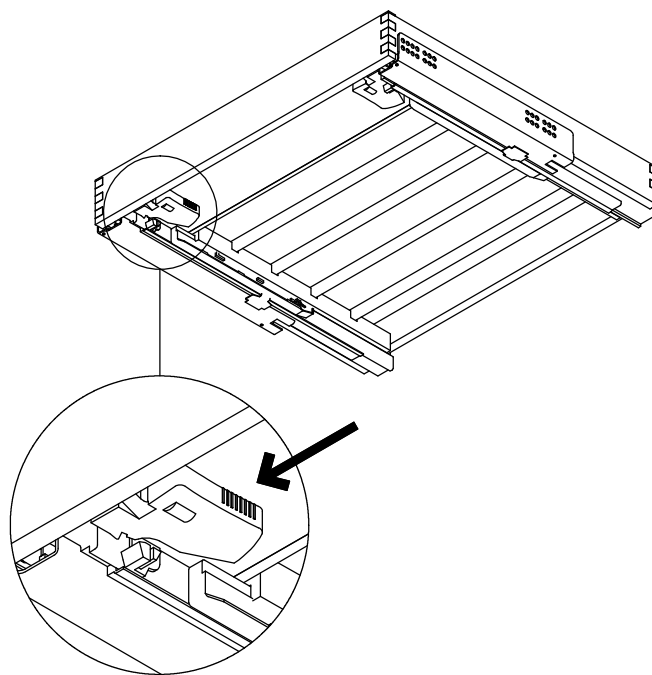
2

Install your drawer slides. Align the holes and screws as shown above. Ensure that your wardrobe interior does not collide with the door hinges.



3

Place the back of the pants hanger onto the drawers slides and push it into the cabinet until you hear a click.



4

To remove your pants hanger, press on the two orange levers simultaneously and lift it up.