

INTRO

When connecting fronts of the REFLECT design (besides the standard front connector package) additional distancing shims are needed.

This is what you need (items not to scale):

2x Front Connector

8x REFLECT Distance Washer

8x Chipboard Screws



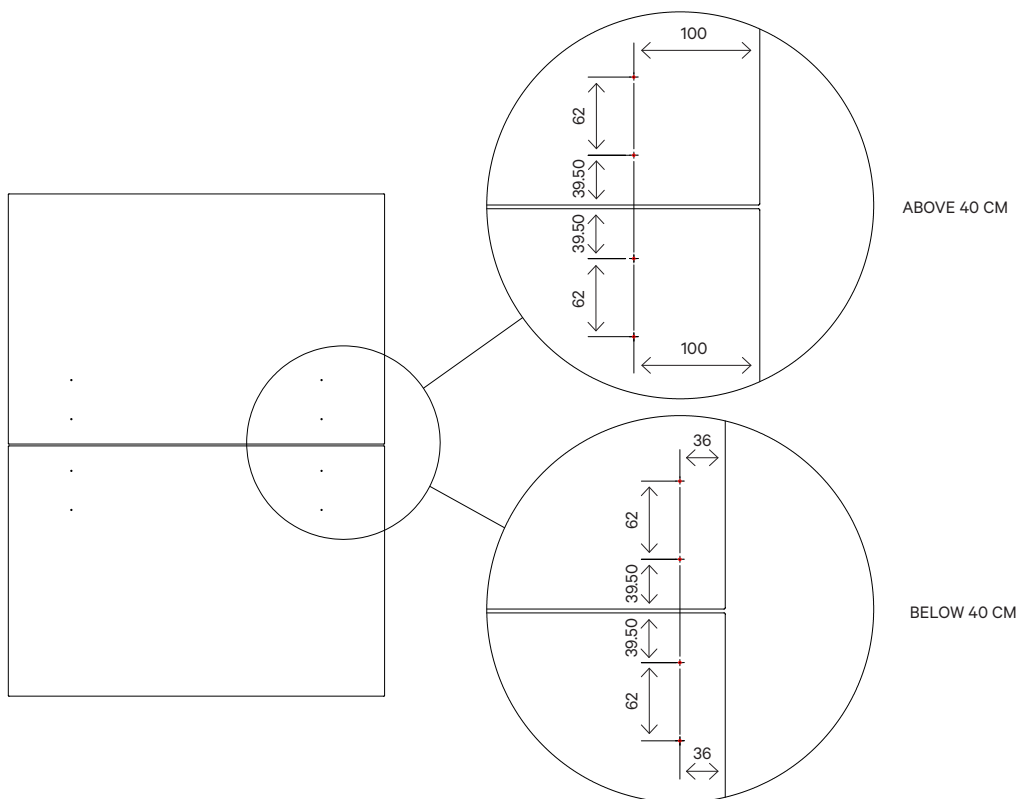
FRONT CONNECTOR



REFLECT DISTANCE WASHER

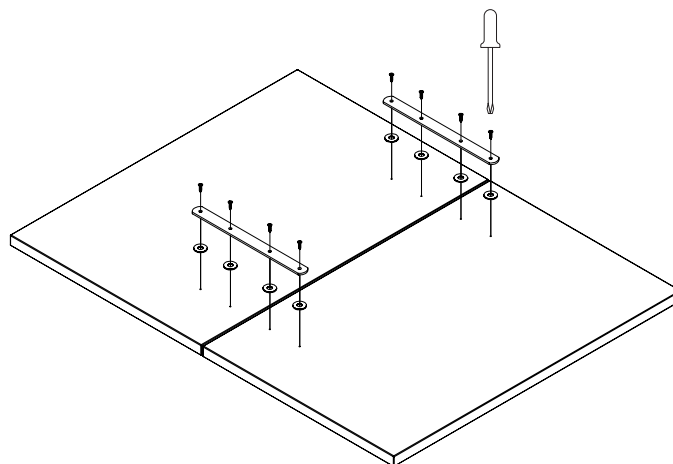


CHIPBOARD SCREWS



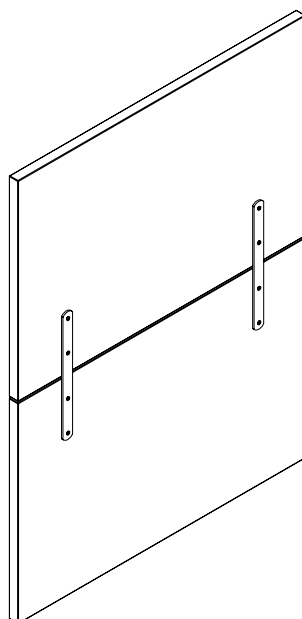
1

MEASURE AND MARK THE POSITION OF THE SCREWS DEPENDING ON THE WIDTH OF YOUR FRONTS. ALL DIMENSIONS ON THE ILLUSTRATION ARE IN MM.



2

FASTEN THE FRONT CONNECTOR ONTO THE FRONTS WITH SCREWS. THE REFLECT DISTANCE
WASHERS SHOULD BE PLACED BETWEEN THE FRONT AND THE FRONT CONNECTOR.



3

FINISHED PRODUCT