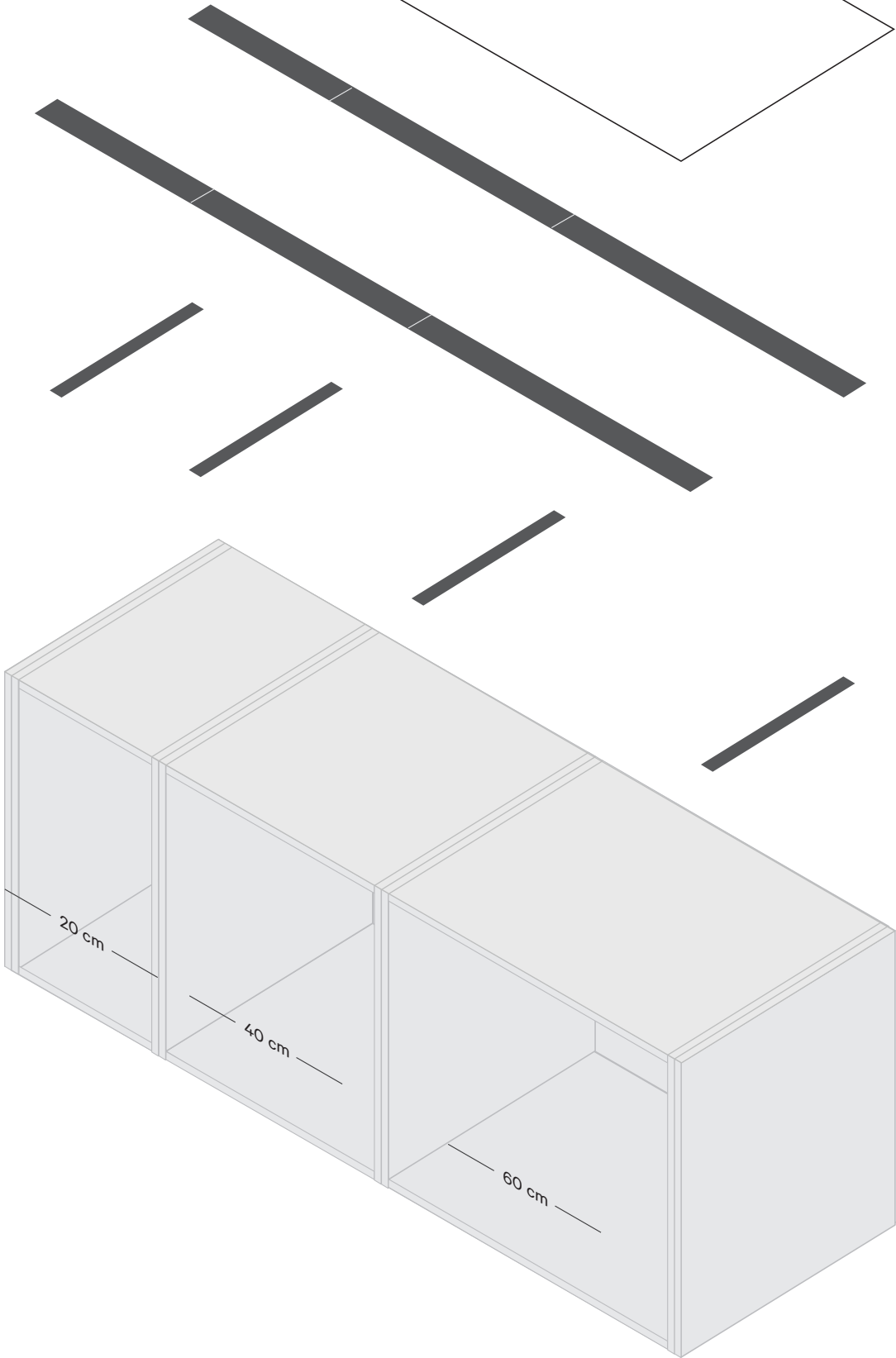
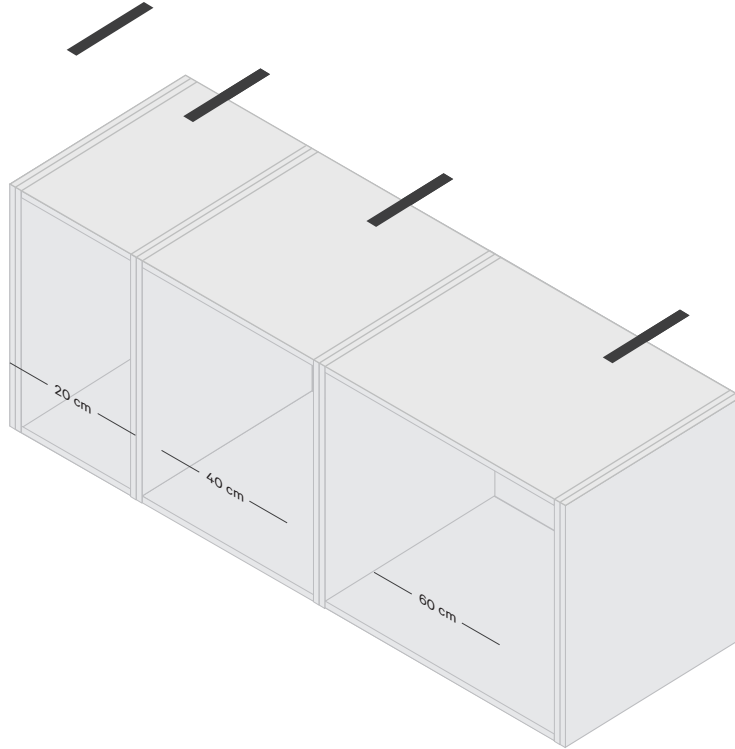


# Manz Countertop



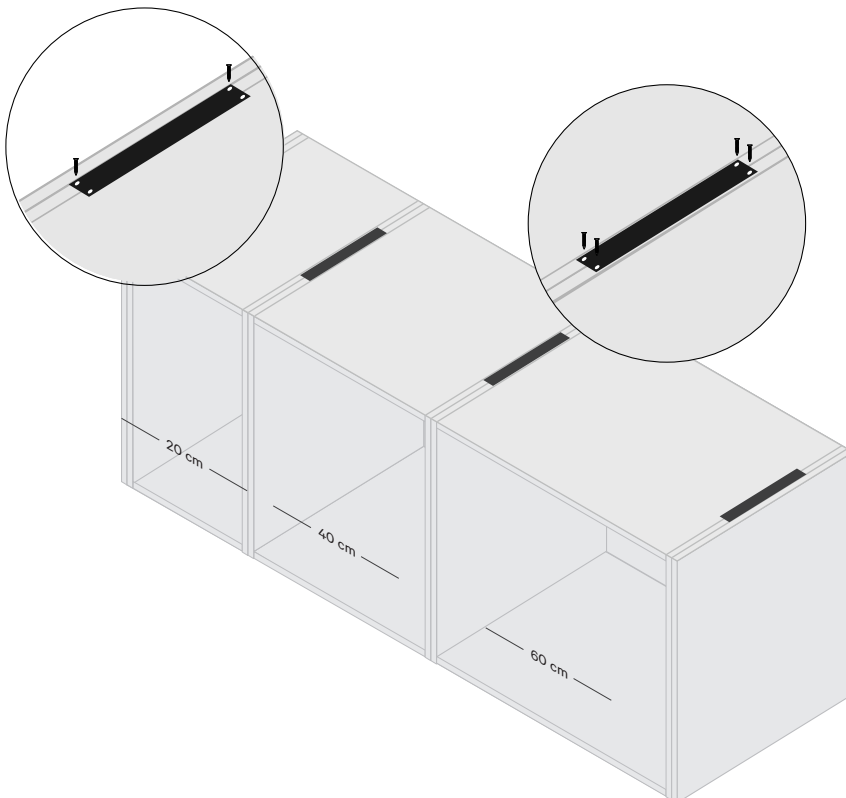
## Step 1.

Assemble the cabinets as described in the assembly guide and place the angular worktop pads.



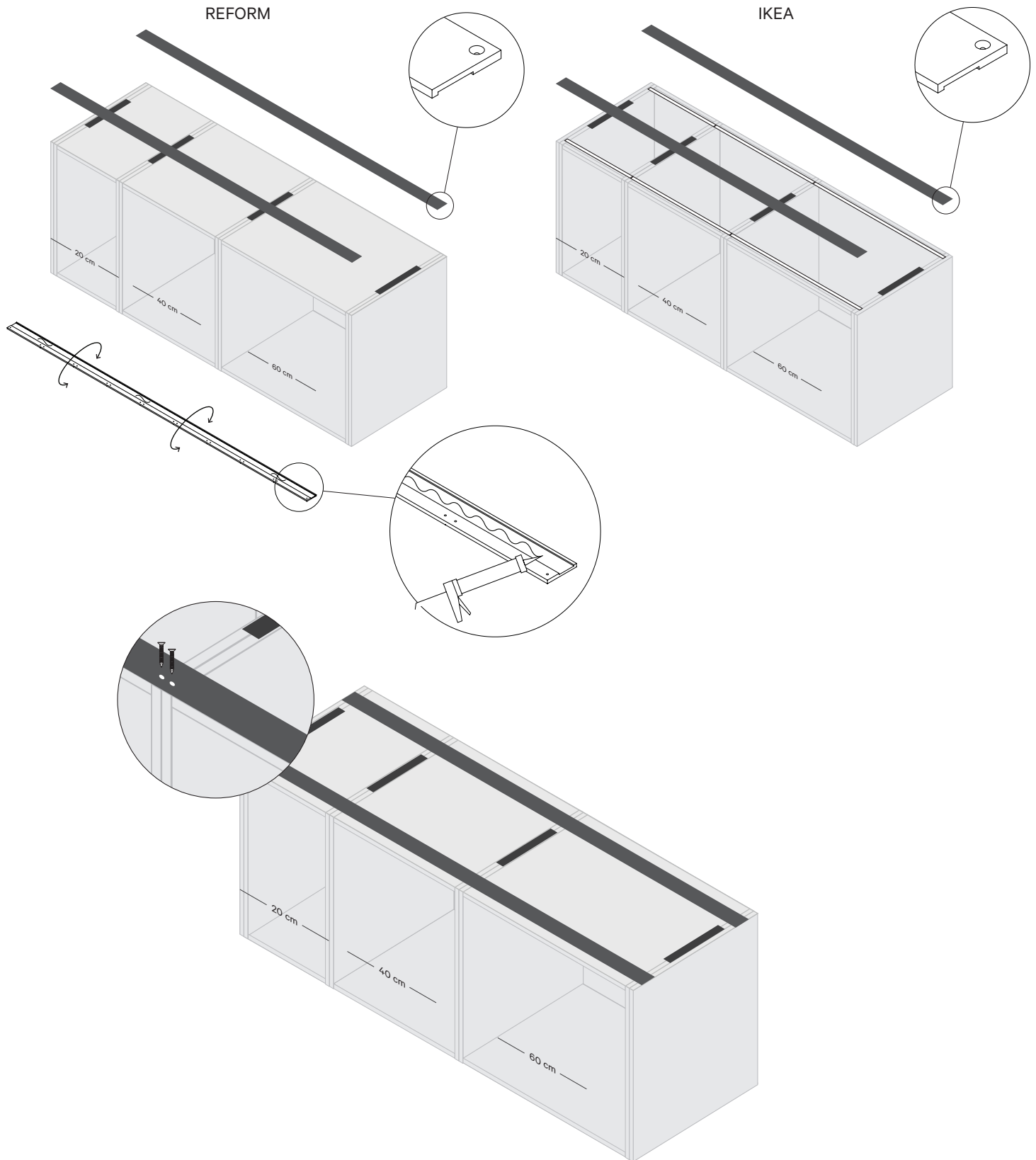
## Step 2.

Mount the angular worktop pads using M4-30 screws (not included).



### Step 3

Cut the longitudinal worktop pads to size and use the screws to attach them to the cabinets.  
For IKEA cabinets the worktop pads should cover the metal cabinet brackets.  
For REFORM cabinets, apply construction adhesive in the indentation all along the worktop pad.



## Step 4

Strategically place glue along the longitudinal and angular work top pads and place the countertop. Leave it to dry.

