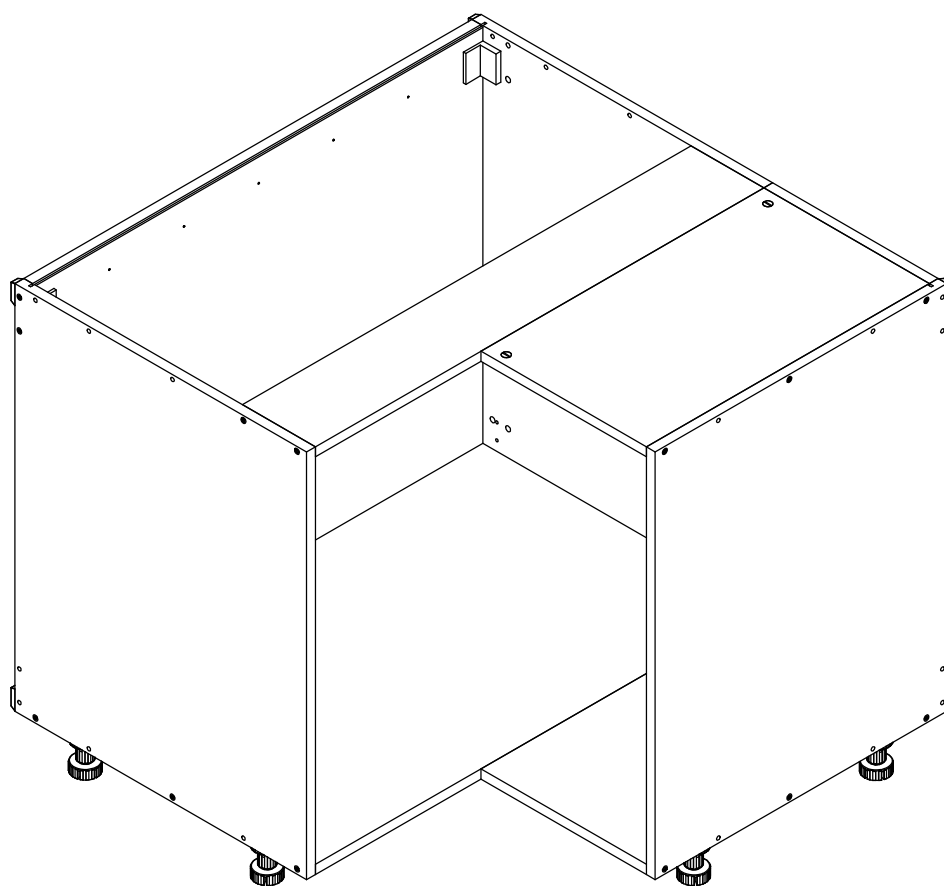


PRODUCT ASSEMBLY GUIDE

CORNER-L CABINET



**English**

Important information.

Read carefully. Follow each step of the instruction carefully.

Keep this information for further reference.

WARNING

Serious or fatal crushing injuries can occur from furniture tip-over. To prevent this furniture from tipping over it must be permanently fixed to the wall with the included wall attachment devices.

Fastening devices for the wall are not included since different wall materials require different types of fastening devices. Use fastening devices suitable for the walls in your home. For advice on suitable fastening devices, contact your local specialized dealer.

Safety recommendation:

- Place heaviest items in the lowest drawers.
- Prevent children from climbing or hanging on the drawers, doors or shelves.

Dansk

Vigtige oplysninger.

Læs omhyggeligt. Følg de enkelte trin i anvisningerne omhyggeligt.

Gem disse oplysninger til senere brug.

ADVARSEL!

Der kan opstå alvorlig eller livsfarlig tilskadekomst, hvis møblet vælter. For at undgå, at møblet vælter, skal det fastgøres permanent til væggen med de medfølgende vægbeslag.

Forskellige vægmaterialer kræver forskellige skruer og rawplugs. Medfølger ikke. Brug skruer og rawplugs, der passer til væggene i dit hjem. Hvis du er i tvivl om, hvilken type skruer/rawplugs du skal bruge, skal du kontakte et byggemarked.

Deutch

Wichtige information.

Sorgfältig lesen. Jeden Schritt der Anleitung sorgfältig befolgen.

Diese Information aufbewahren.

ACHTUNG

Wenn Möbelstücke umkippen, können ernste oder lebensgefährliche Verletzungen durch Einklemmen die Folge sein. Um zu verhindern, dass dieses Möbelstück umkippt, muss es mit der beigegepackten Vorrichtung zur Wandbefestigung fest an der Wand verankert werden.

Beschläge für die Wandbefestigung sind nicht beigegepackt, da sie von der Beschaffenheit der Wand und des Untergrundmaterials abhängig sind. Befestigungsbeschläge benutzen, die für die heimischen Wände geeignet sind. Bei diesbezüglichen Fragen den.

Français

Information importante.

Lire attentivement. Suivre soigneusement chacune des étapes de ces instructions. Conserver ces instructions pour une utilisation ultérieure.

ATTENTION

Risque de blessure grave ou mortelle en cas de basculement du meuble. Pour éviter que le meuble ne bascule, il faut le fixer au mur de façon permanente à l'aide des pièces pour fixation incluses.

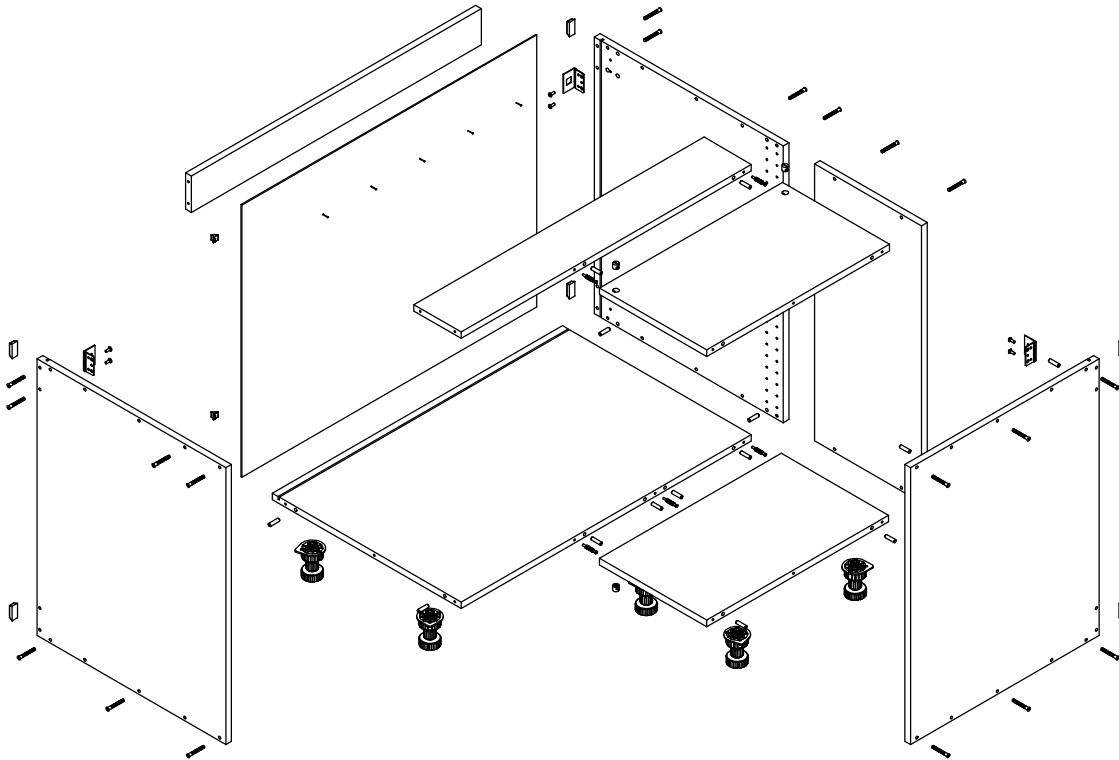
Les vis ne sont pas incluses car leur choix dépend du matériau du mur sur lequel est fixé le meuble. Utilisez des vis adaptées au matériau du mur. Pour obtenir des conseils sur les vis à utiliser, adressez-vous à un vendeur spécialisé.

CORNER-L CABINET

We've created this guide to help you assemble your new Reform cabinets in a quick and simple way.

Please note that the assembly should be performed by qualified individuals. Follow the steps outlined in the following pages to assemble the basis for your new kitchen, wardrobe or storage.

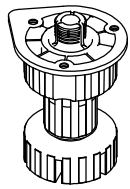
We recommend assembling the product on a carpet or a similar surface that provides shock-absorption and a firm footing.



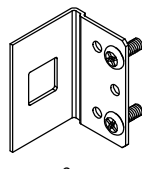
HARDWARE REQUIRED

CABINET LEGS
(SKU: UNI-P-ACC01-HRD0xx)

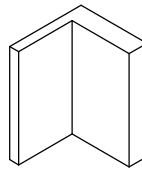
HARDWARE PACKAGES
(SKU: UNI-P-ACC01-HRD2x0d / UNI-P-ACC01-HRD2x0s)



9x



3x



3x



24x



14x



5x



6x



6x

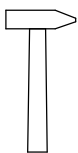


5x

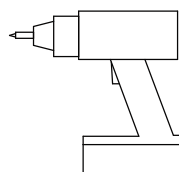


5x

TOOLS & EQUIPMENT REQUIRED



HAMMER



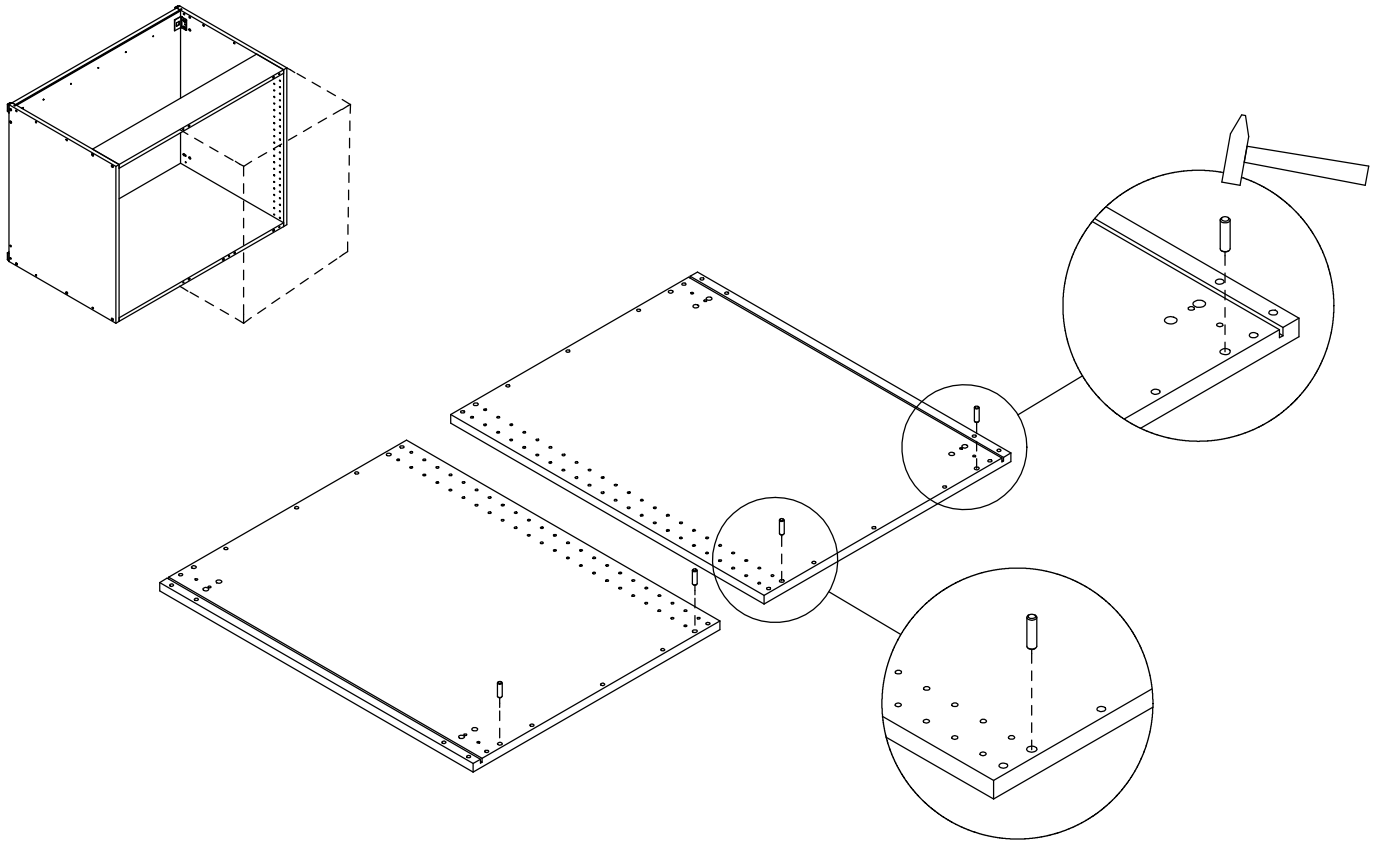
ELECTRIC SCREWDRIVER



MEASURING TAPE

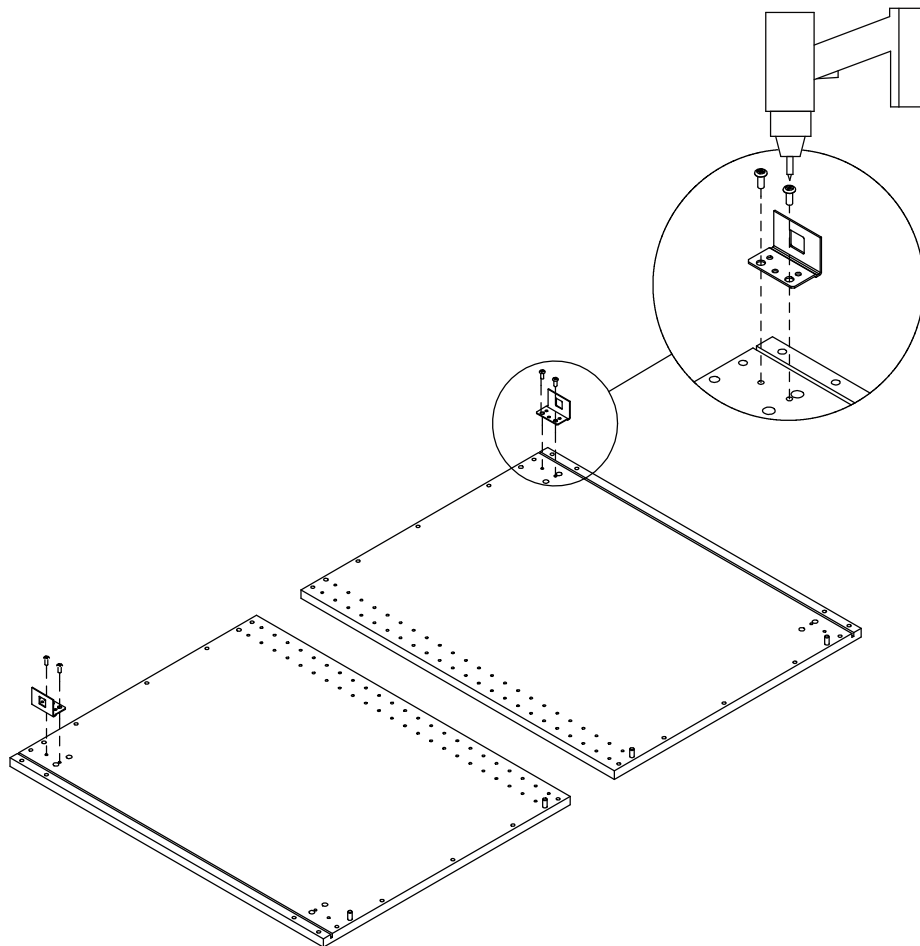


SCREWDRIVER



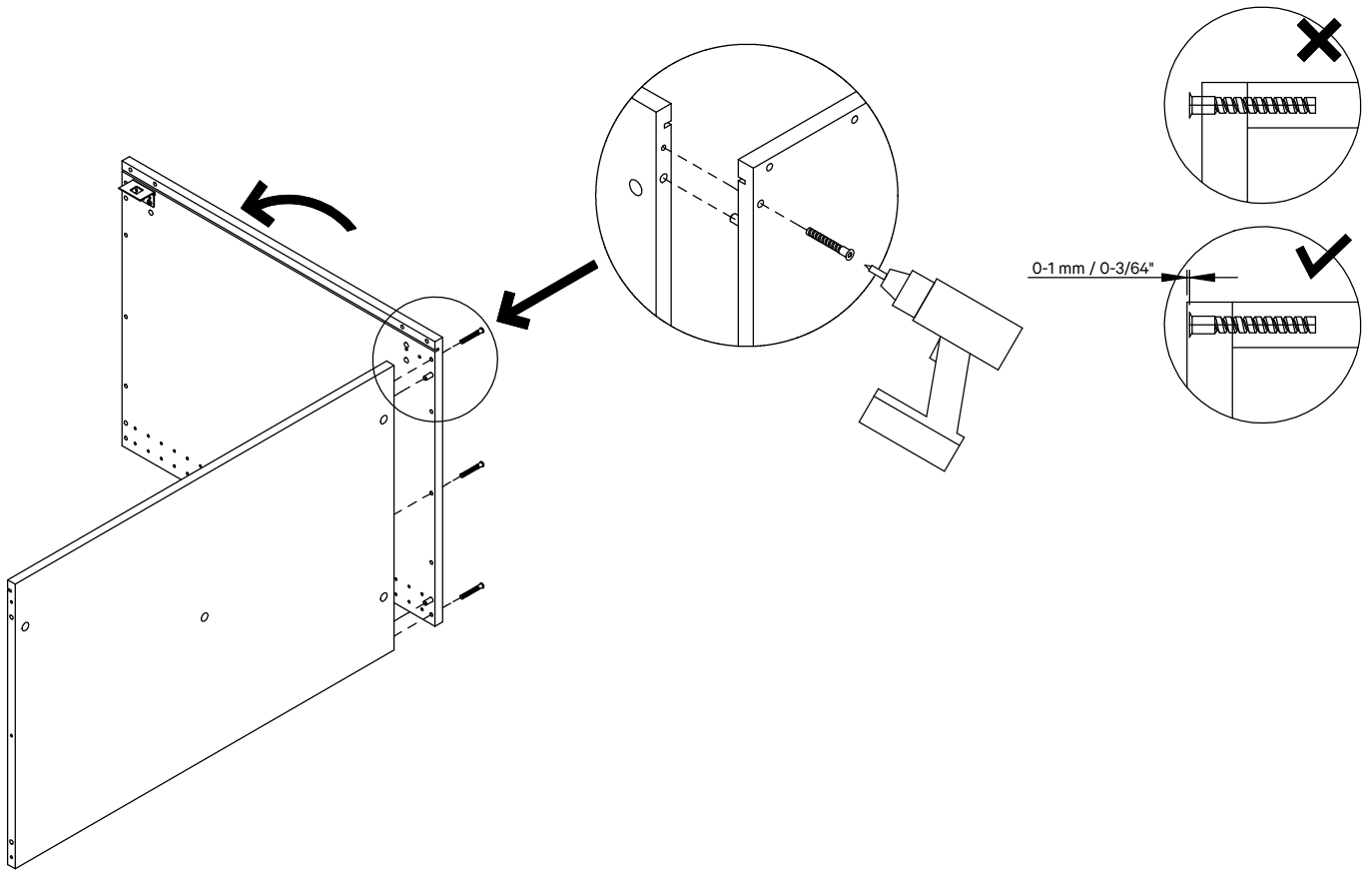
1

Place 2 side panels on the floor. Insert 4 dowels using a hammer.



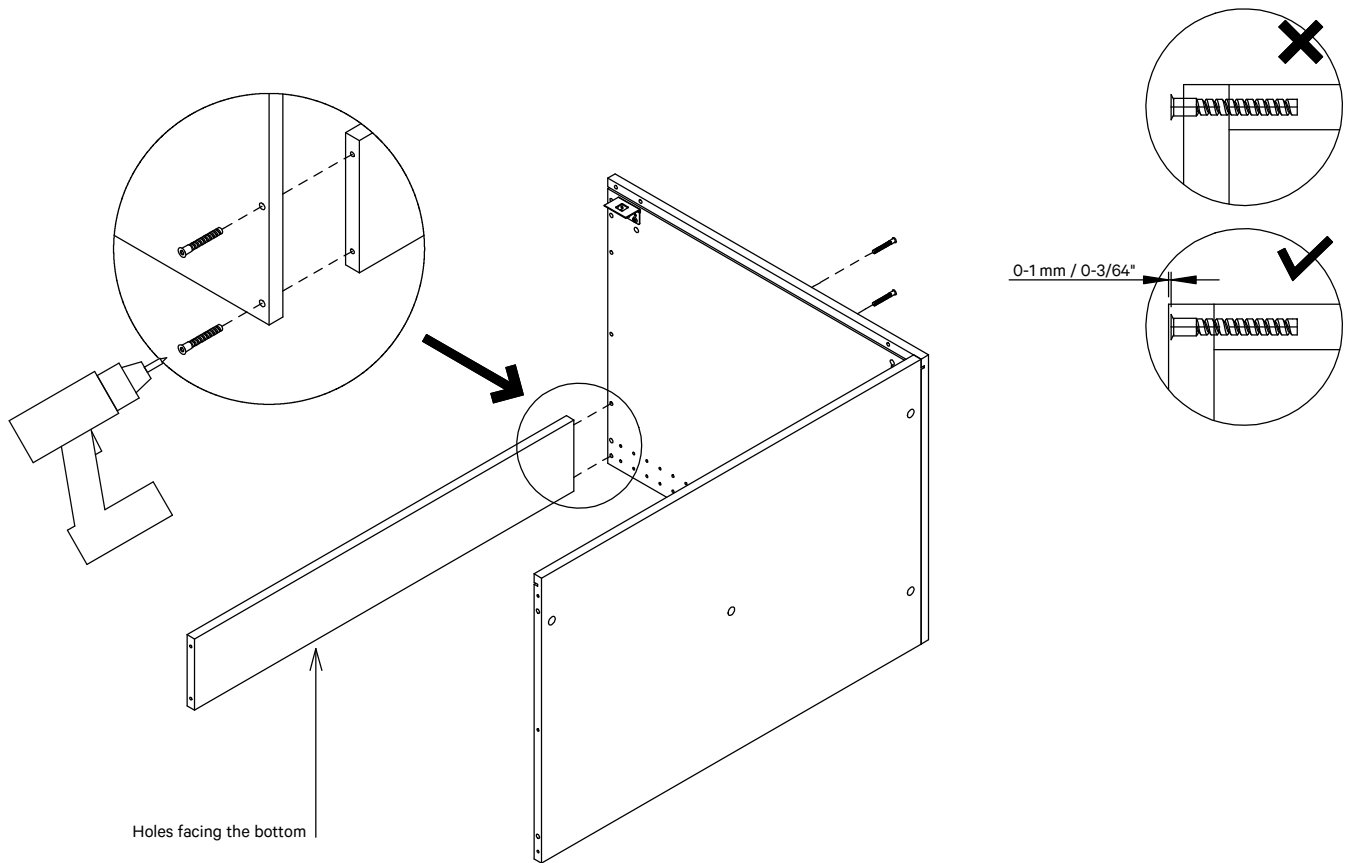
2

Screw metal angle brackets that allow to fix the cabinet to the wall.



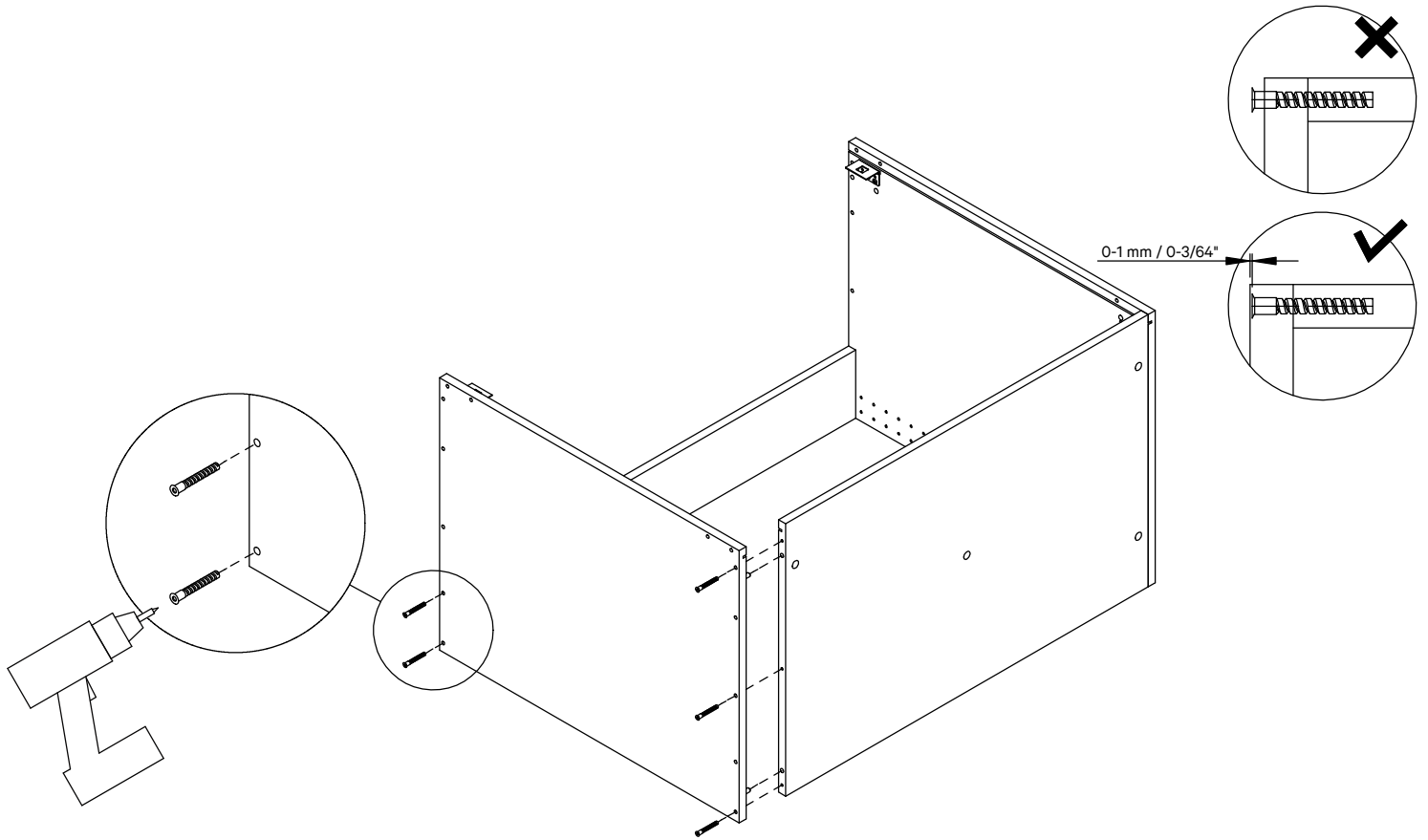
3

Lift one side panel on the side so the groove is facing up. Slide the bottom part onto the dowels on the opposite side of where you attached the metal angle brackets. Screw the bottom part and make sure that the groove is aligned.



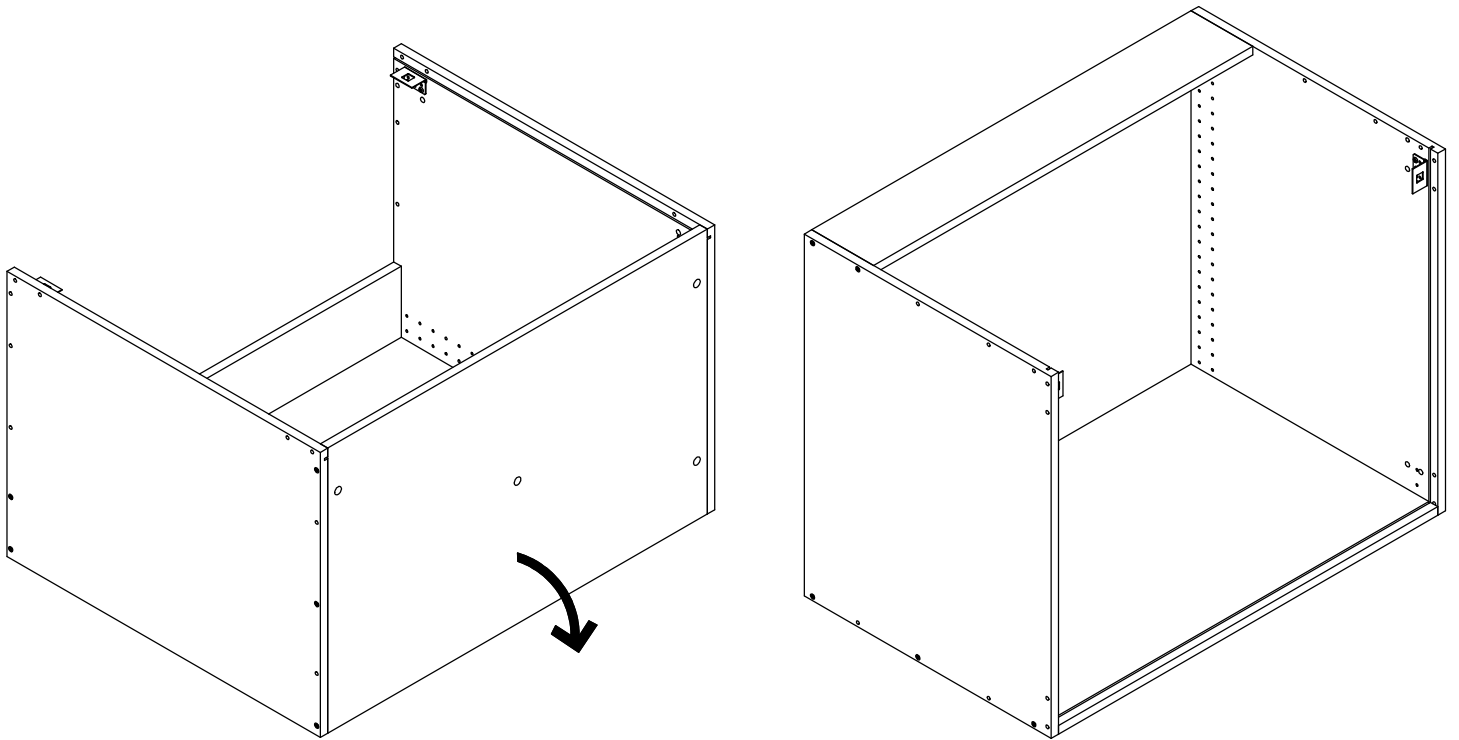
4

Screw the stiffener to the side panel using 2 screws.



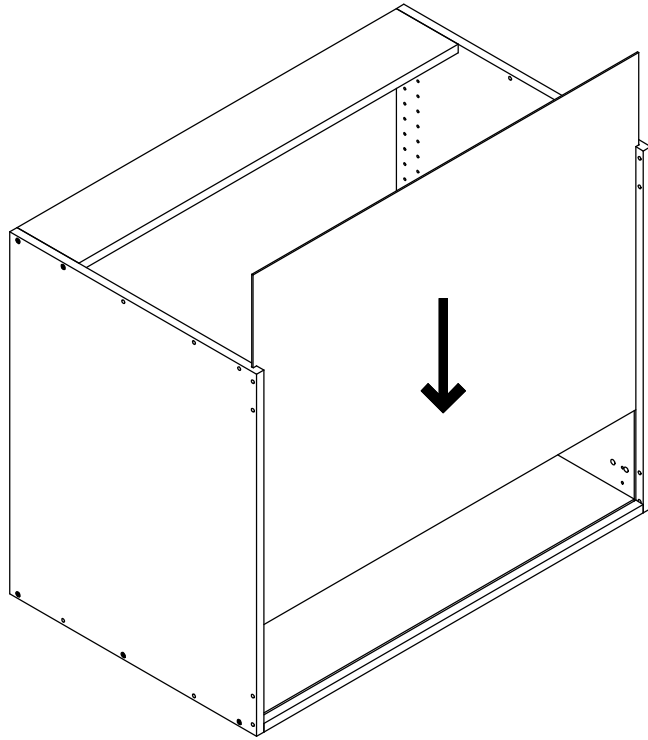
5

Using dowels to guide you, slide the other panel and screw it to the stiffener and bottom.



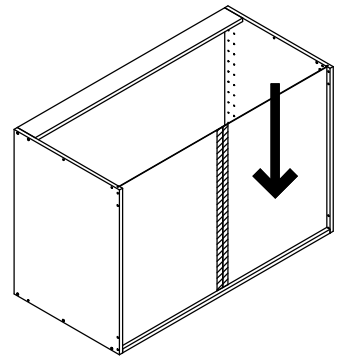
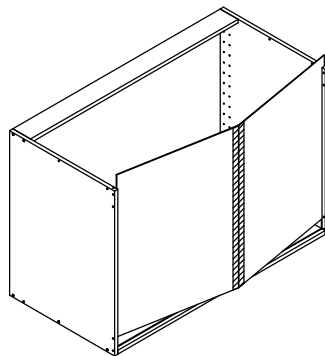
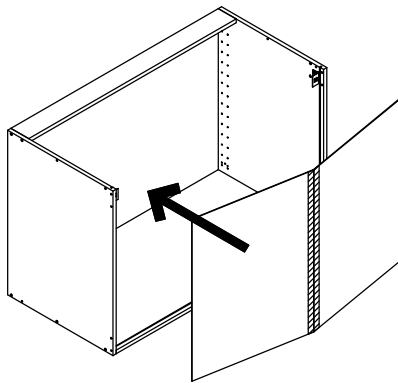
6

Lift the cabinet up.



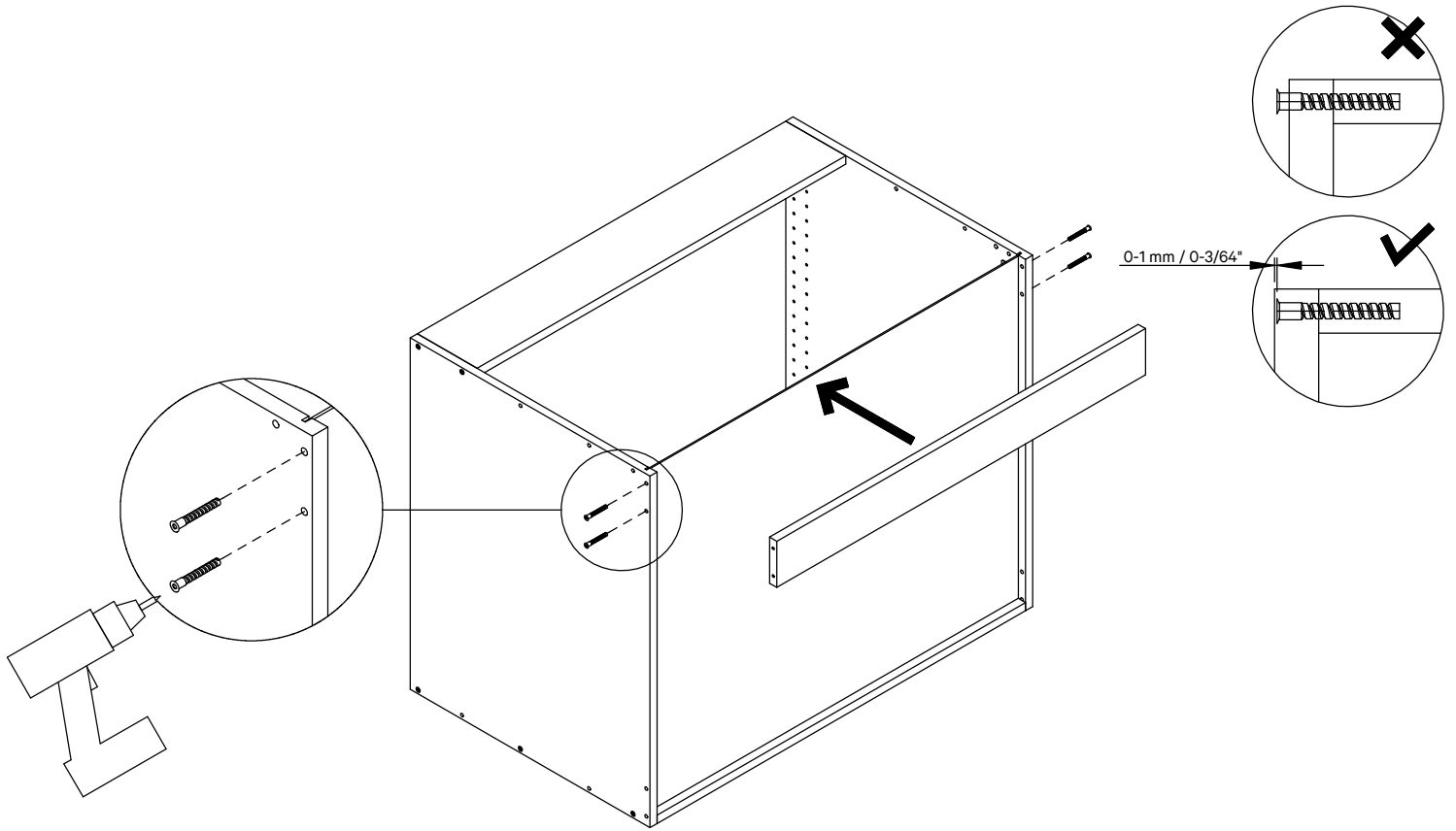
7

Option 1 (US market): Slide the back panel into the groove.



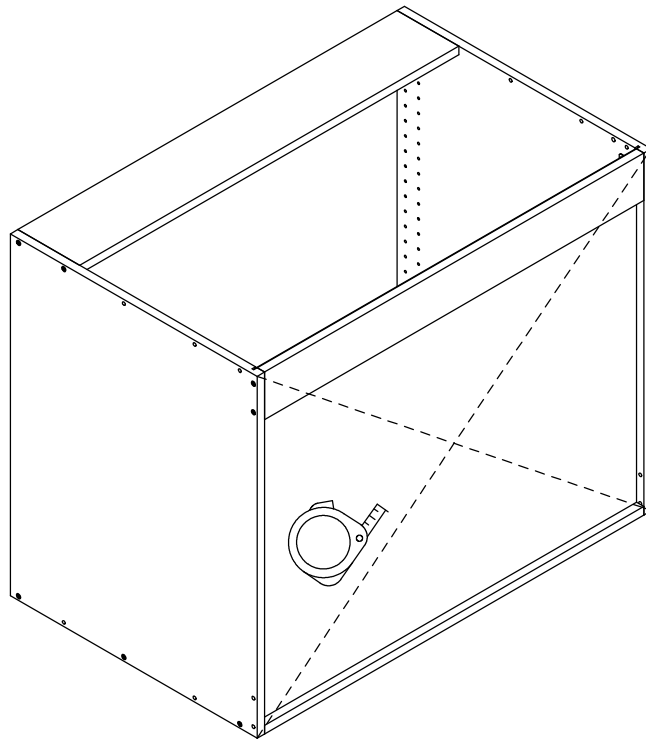
7

Option 2 (EU market): Unfold the back panel and slide it into the groove.



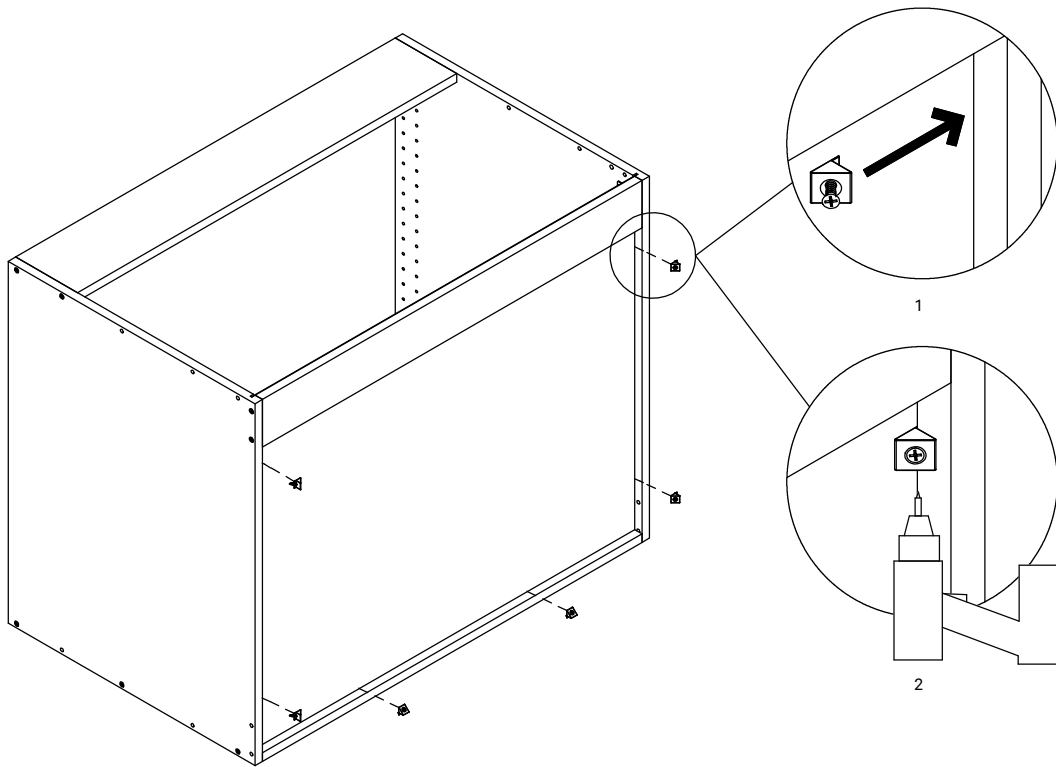
8

Install the stiffener in the back using 4 screws.



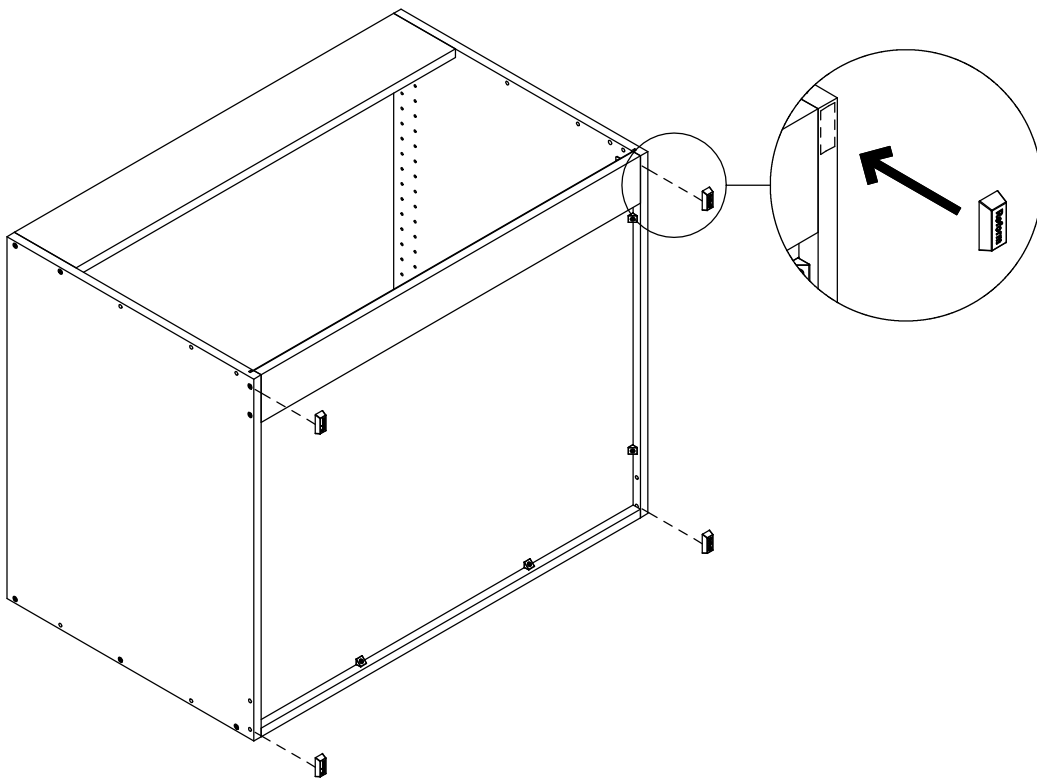
9

Measure diagonals to make sure they are equal.



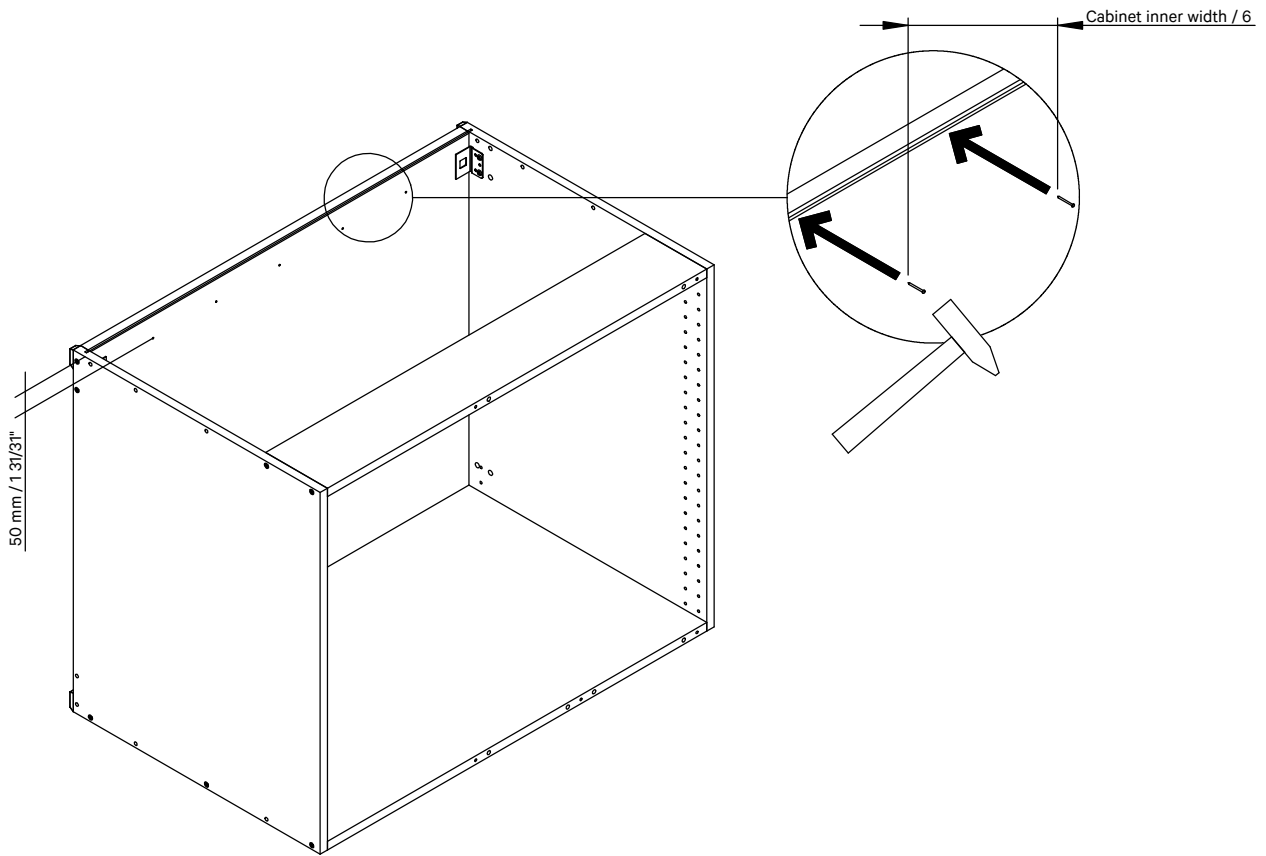
10

Fix the back panel with the corner fixation hardware. Slide the plastic into the groove of the back panel and screw it in. See the illustrations above for placement.



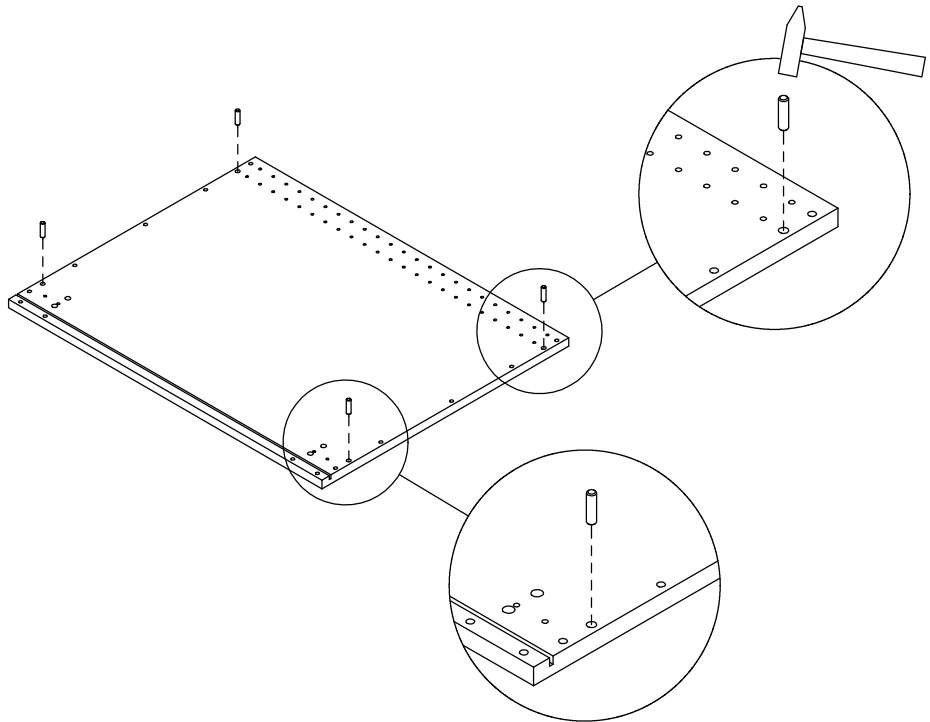
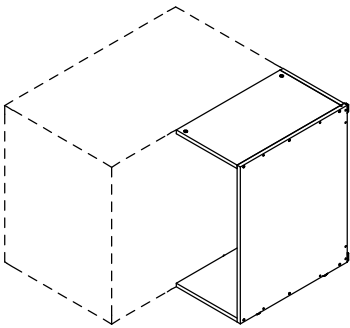
11

Remove the tape and attach 4 spacers on each corner.



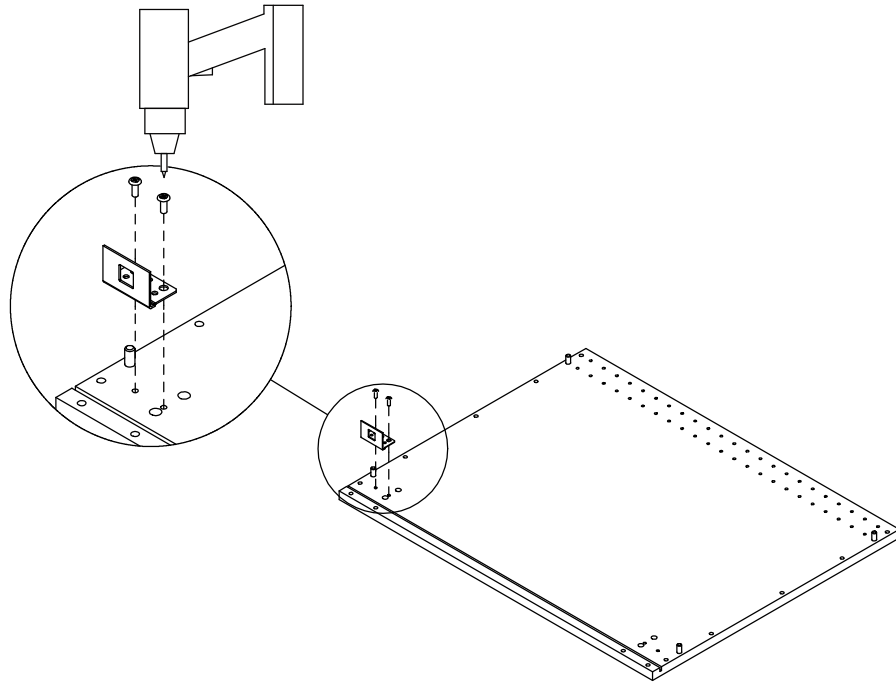
12

Knock in 5 nails per stiffener. See the illustration above for the nail placement.



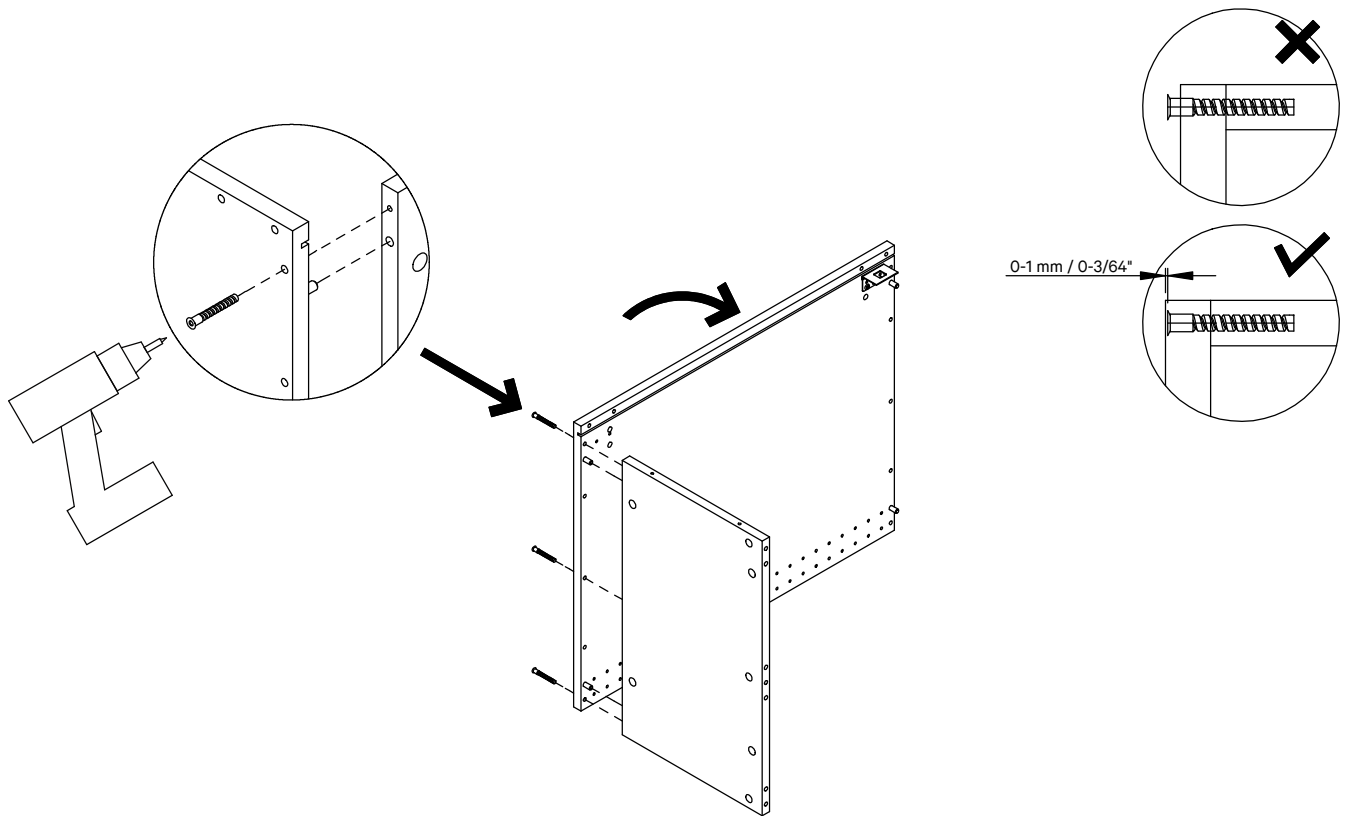
13

Place the remaining side panel on the floor. Insert 4 dowels using a hammer.



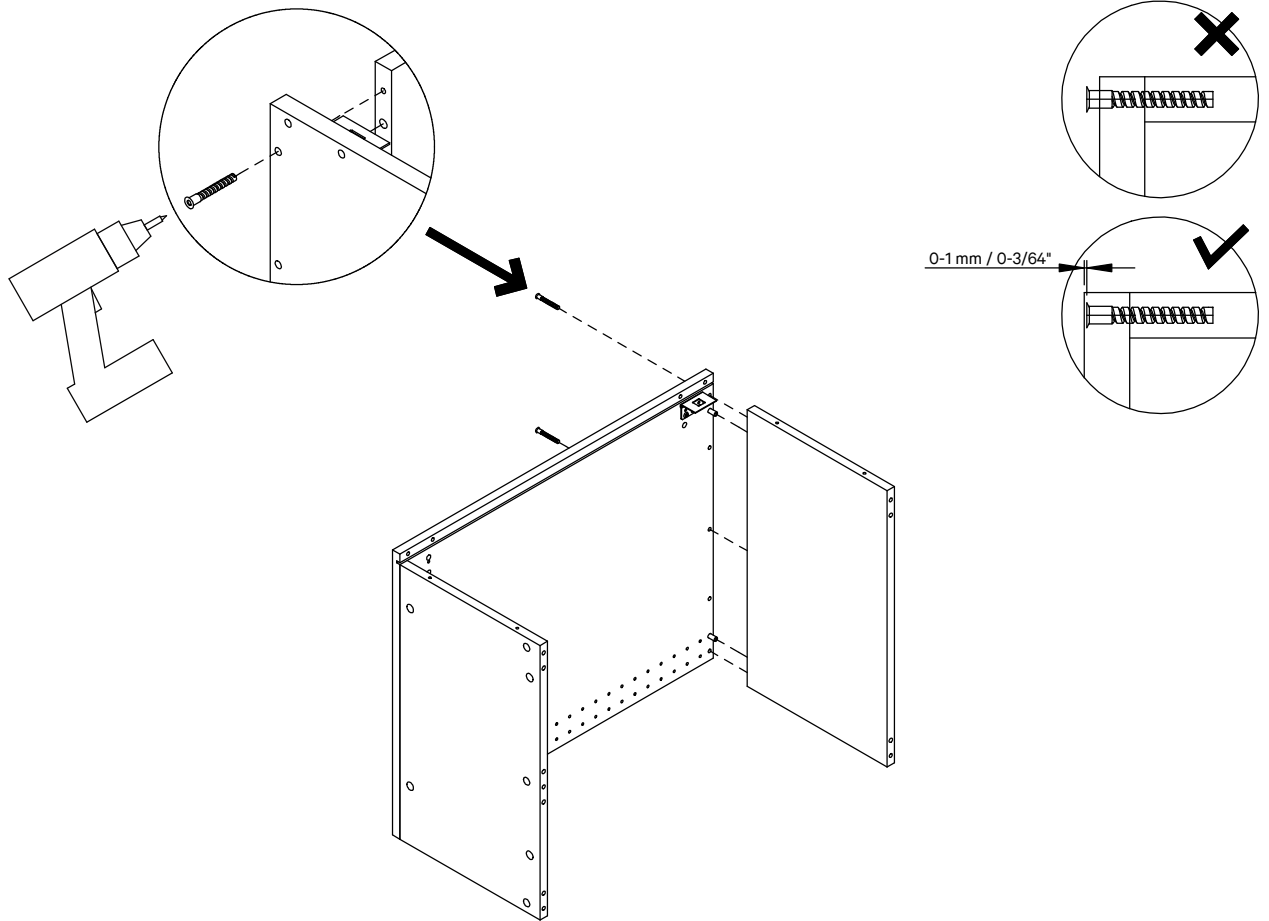
14

Screw metal angle bracket that allow to fix the cabinet to the wall.



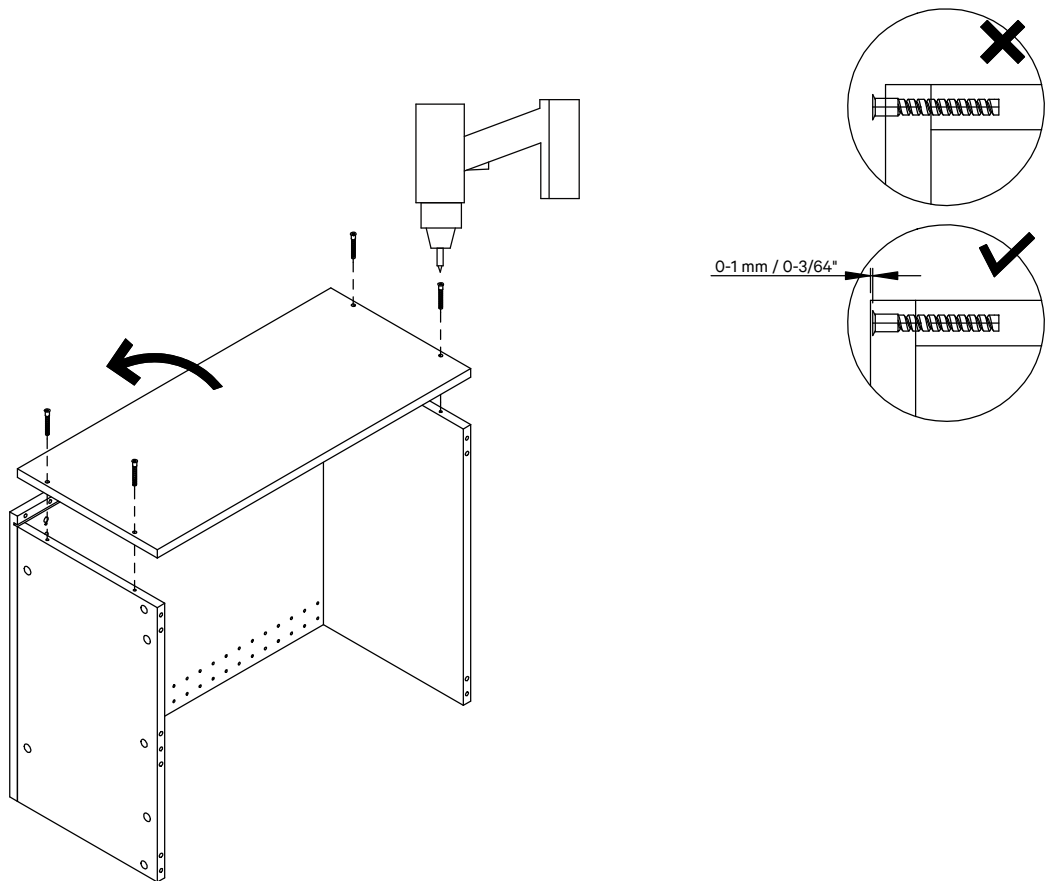
15

Lift the side panel on the side so the groove is facing up. Slide the bottom part onto the dowels on the opposite side of where you attached the metal angle bracket. Screw the bottom part and make sure that the groove is aligned.



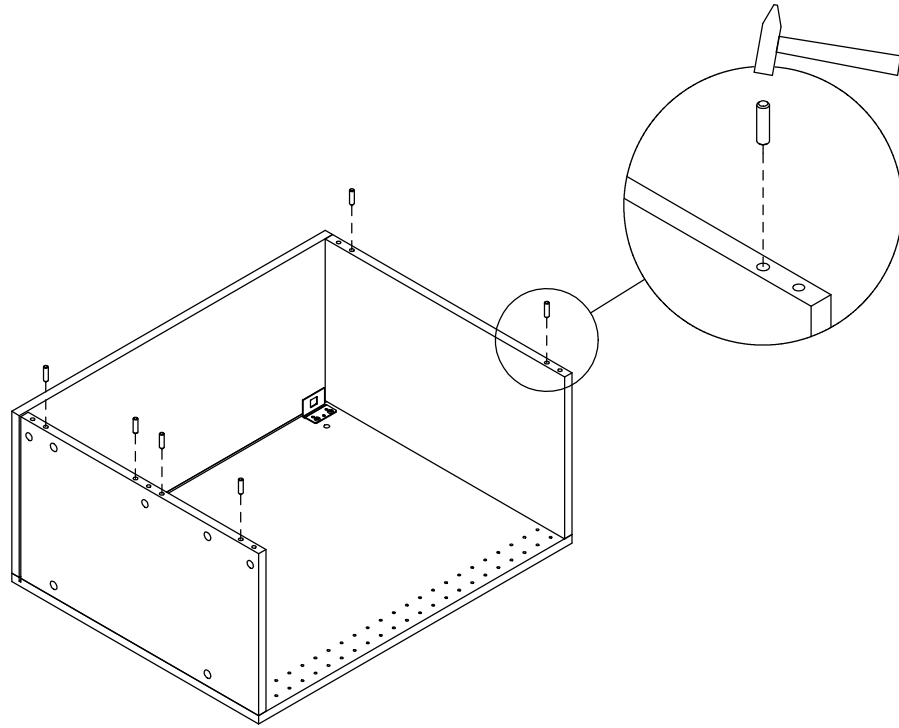
16

Using dowels to guide you screw the top to the side panel with 3 screws.

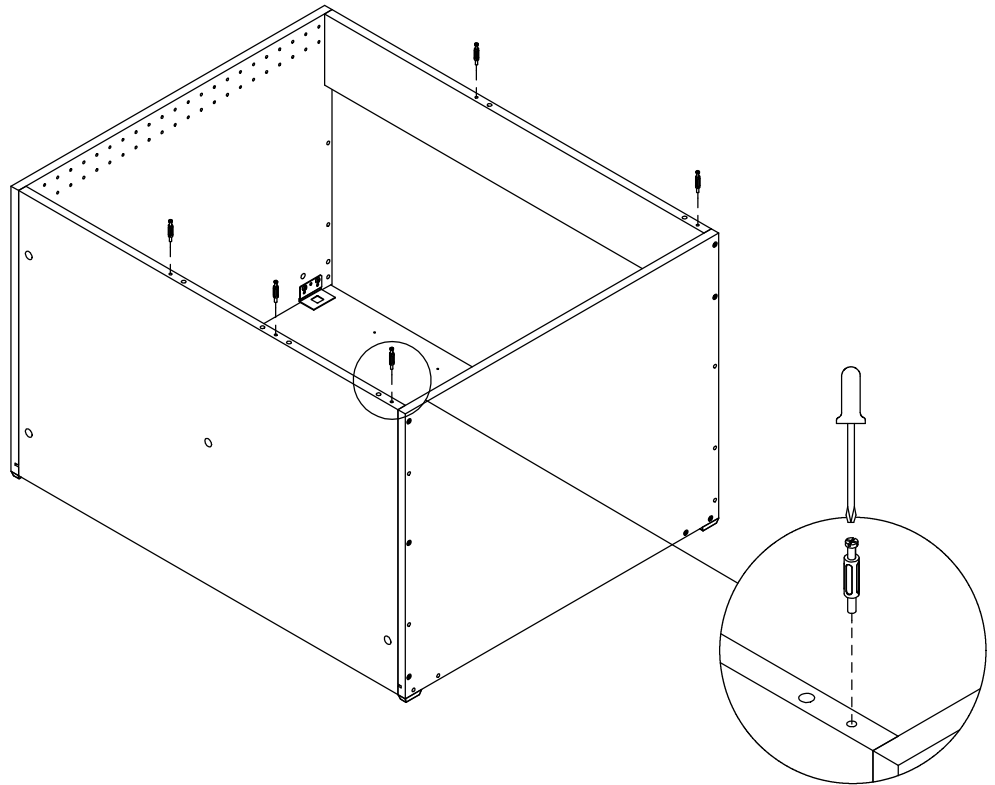
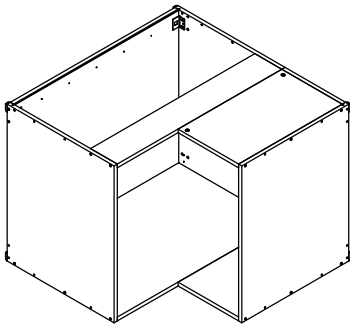


17

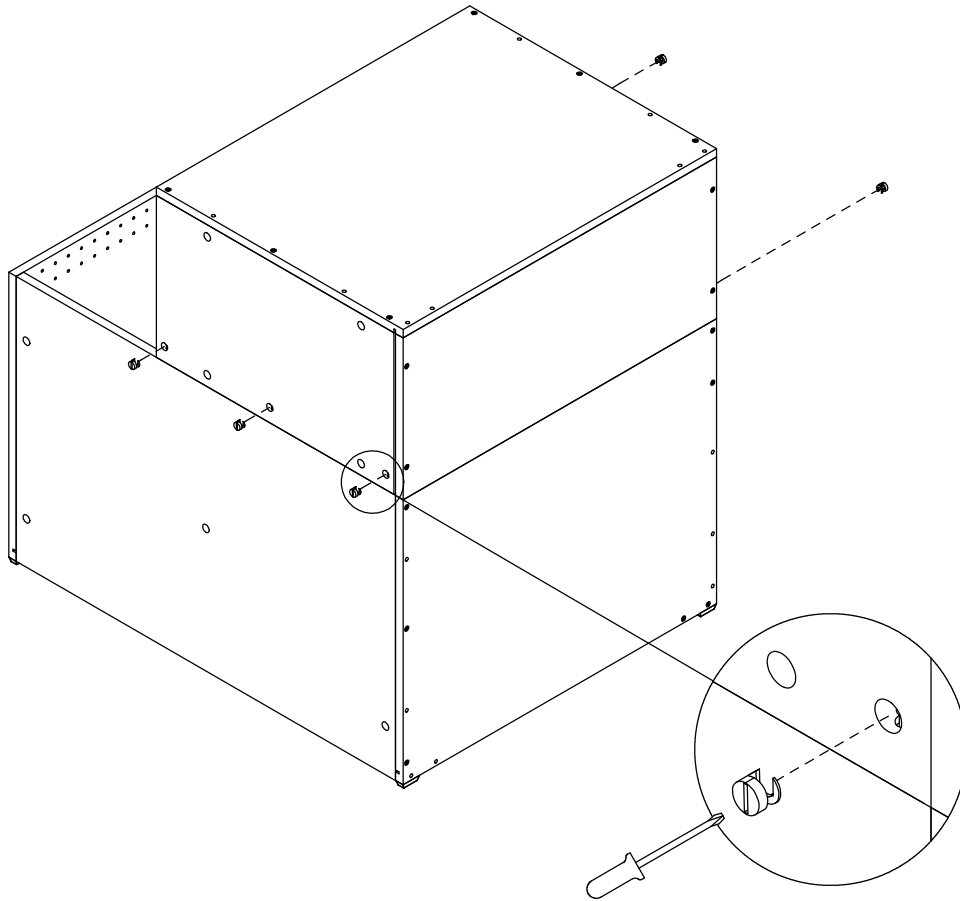
Screw the back panel to bottom and top part using 4 screws. Then lift it on the back of the side panel.



18
Insert 6 dowels using a hammer.

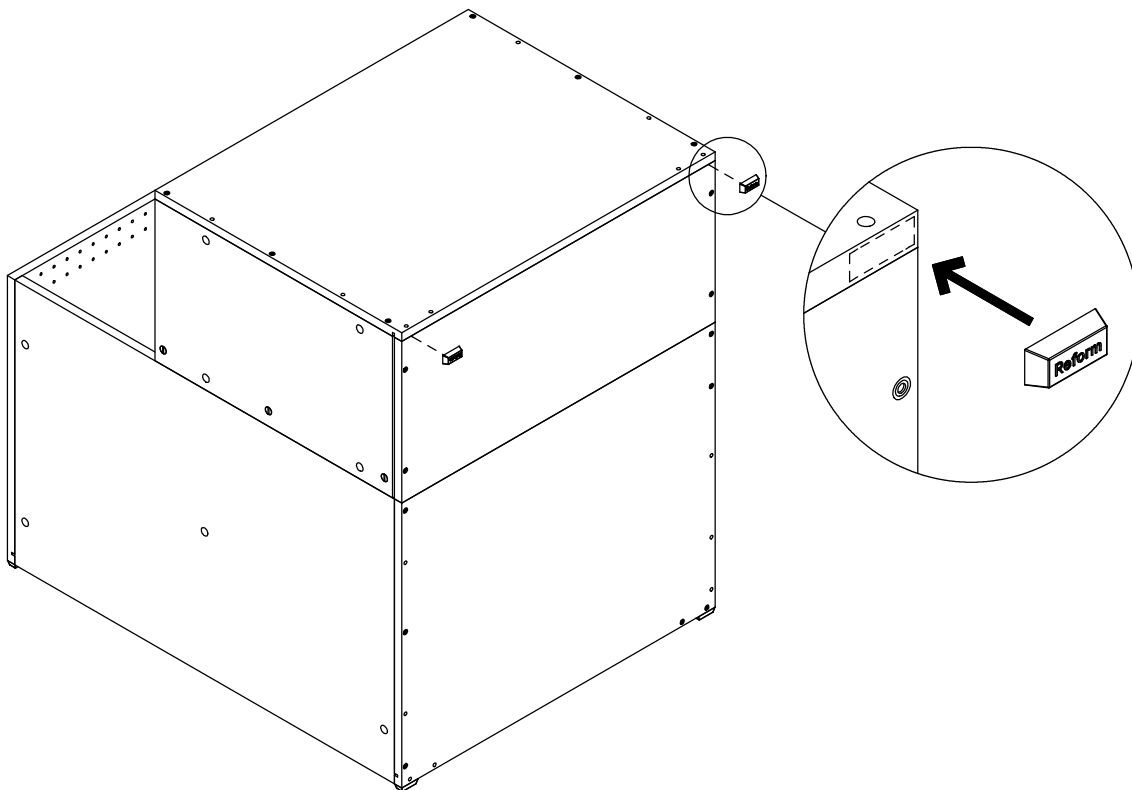


19
Screw the 5 connector screws into the large cabinet using your hands or a screwdriver.



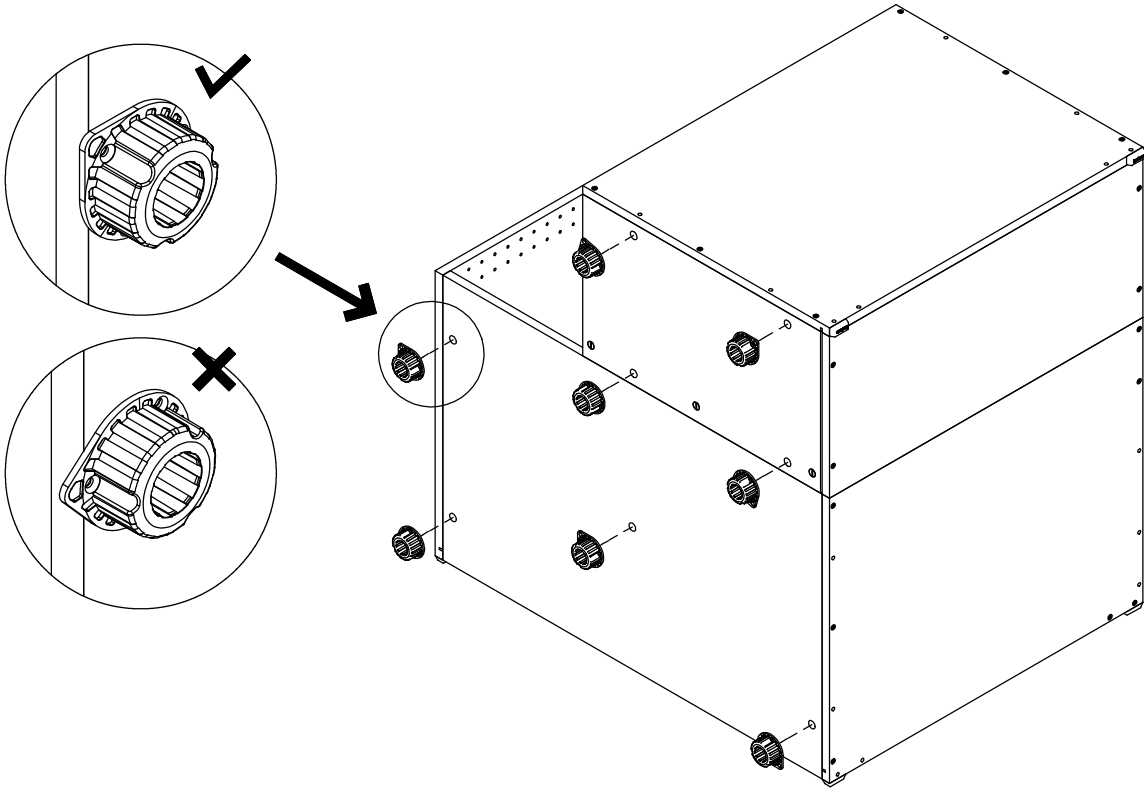
20

Using dowels to guide you, place the small cabinet on top and screw the 5 connector locks in.



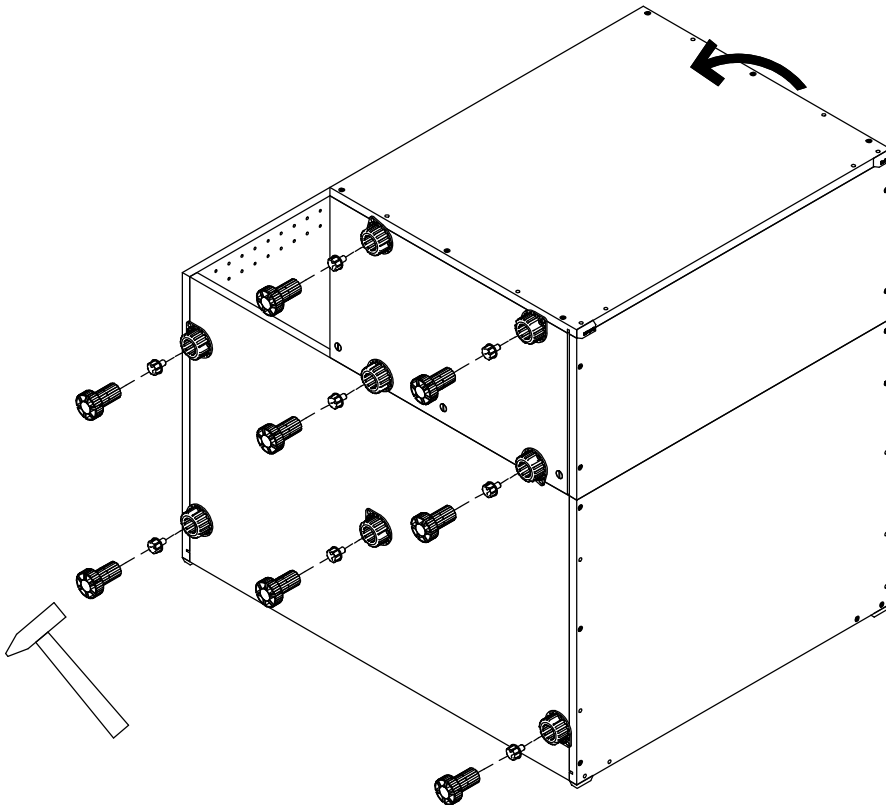
21

Remove the tape and attach 2 spacers on the corners.



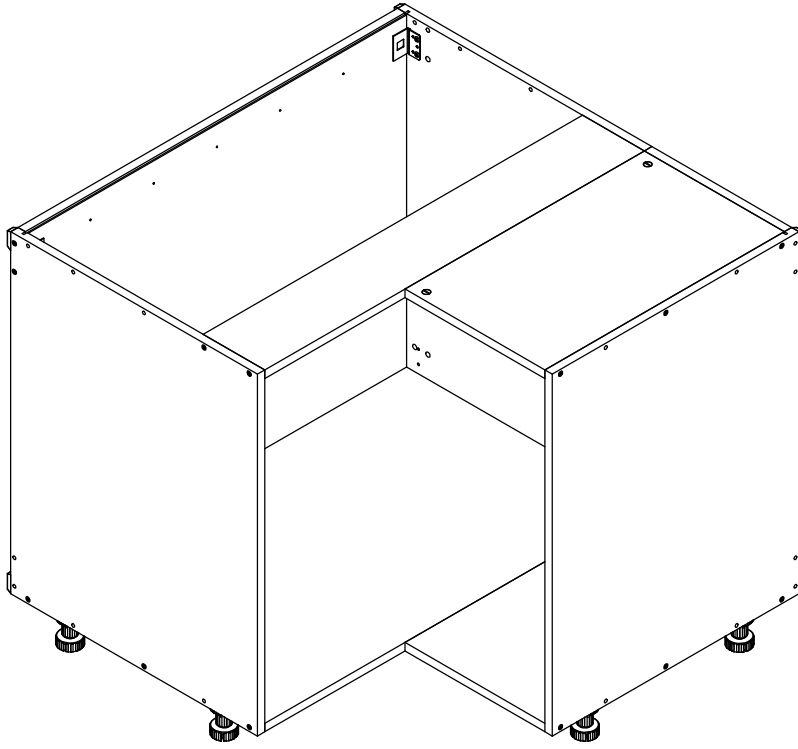
22

Install 9 leg parts. See illustrations above for placement.

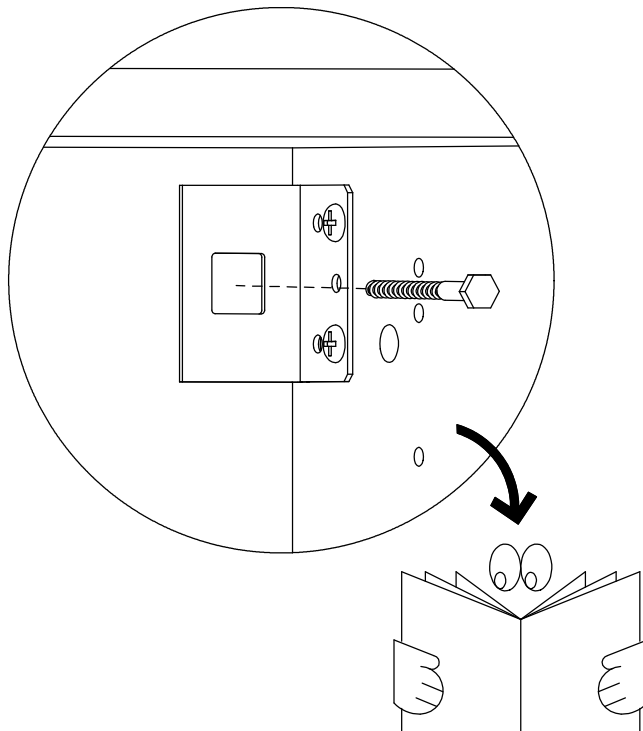


23

Use a hammer to knock the rest of the leg parts in. Then lift the cabinet up.



24
You made it.



See general installation guide on how to fix the cabinet to the wall. Screws need to be sourced separately by the mounter.