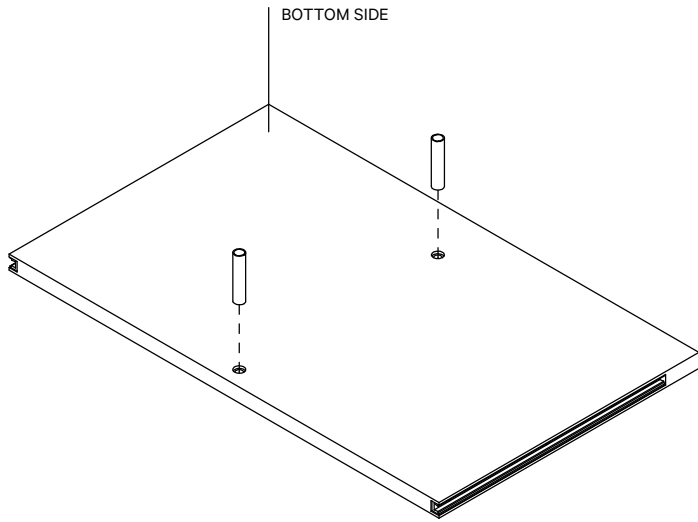
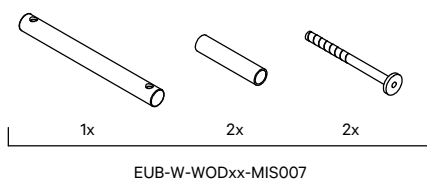
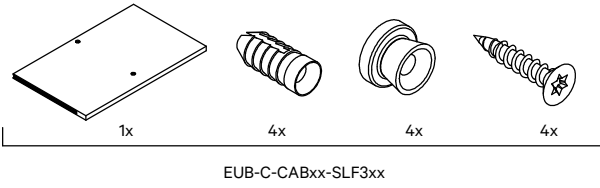
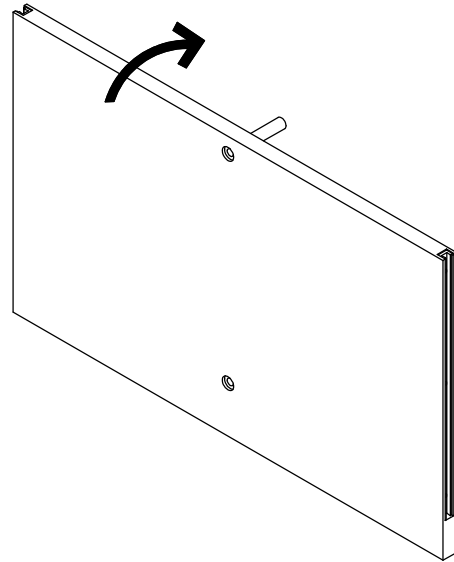


INSTRUCTION GUIDE

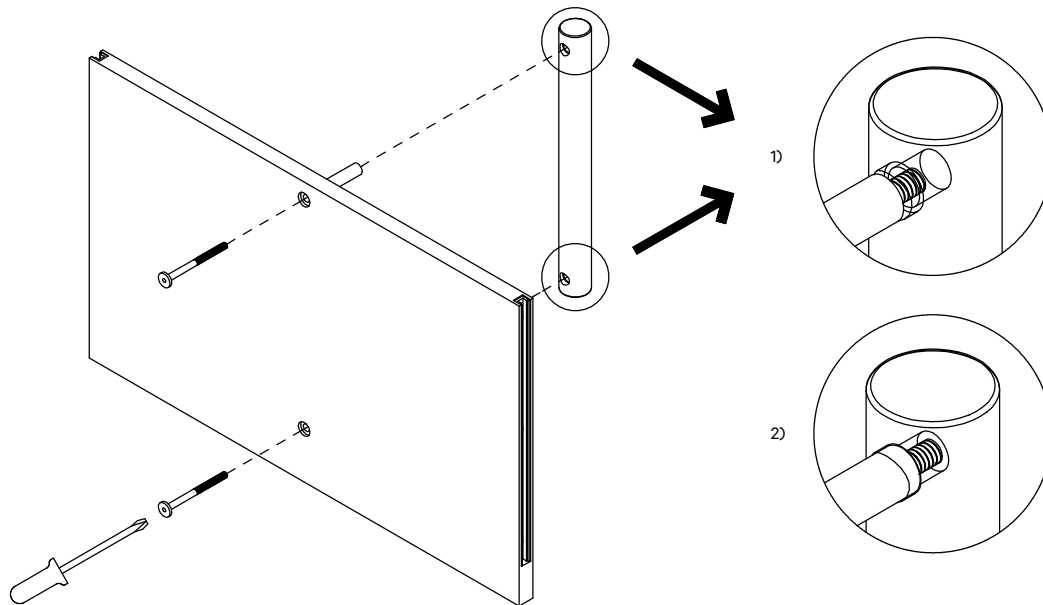
SHELF WITH CLOTHING ROD



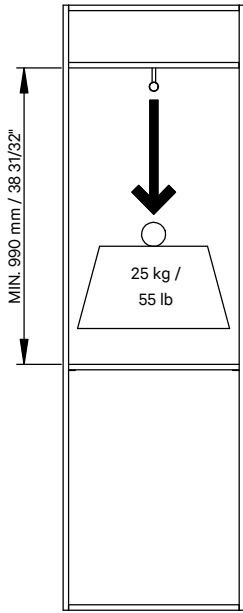
1
Identify the bottom side of the shelf by smaller holes that fit the tubes. Firmly press them in the shelf.



2
Lift the shelf on one side.

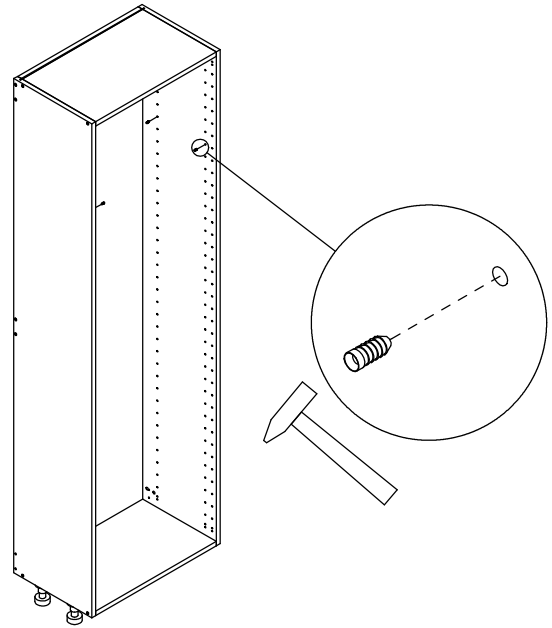


3
To avoid misalignment, first, screw both screws halfway in and only then screw them all the way in.



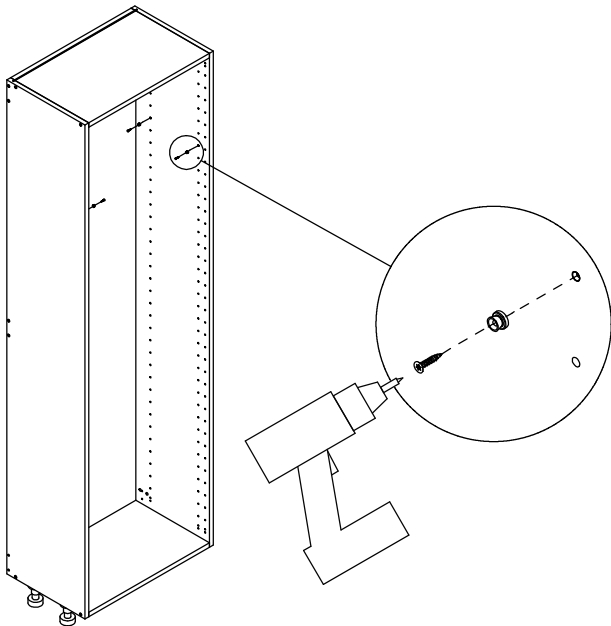
4

Measure the space required for the clothing rod. Do not install the doors before the shelf is in place. Consider hinge placement when planning the location of your shelf.



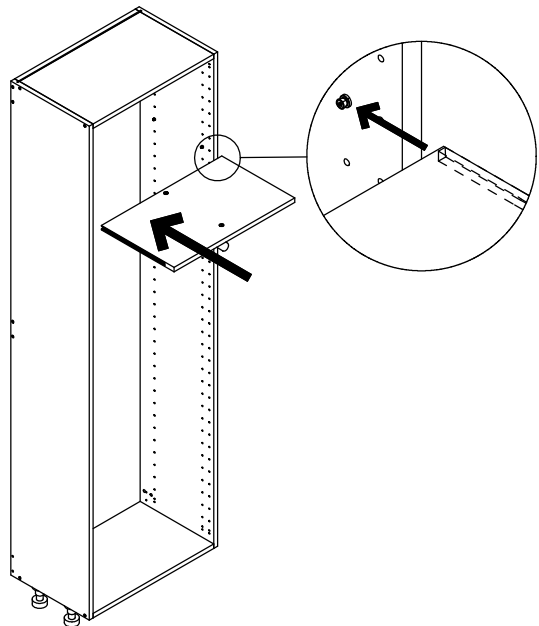
5

Knock in the bushings to your desired height by using a hammer .



6

Fasten the screw through the plastic sleeve.



7

Slide the shelf onto the plastic sleeves.