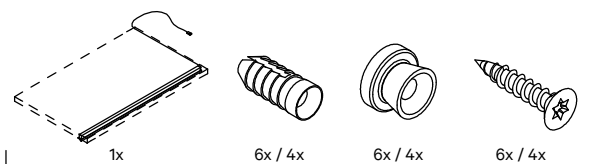
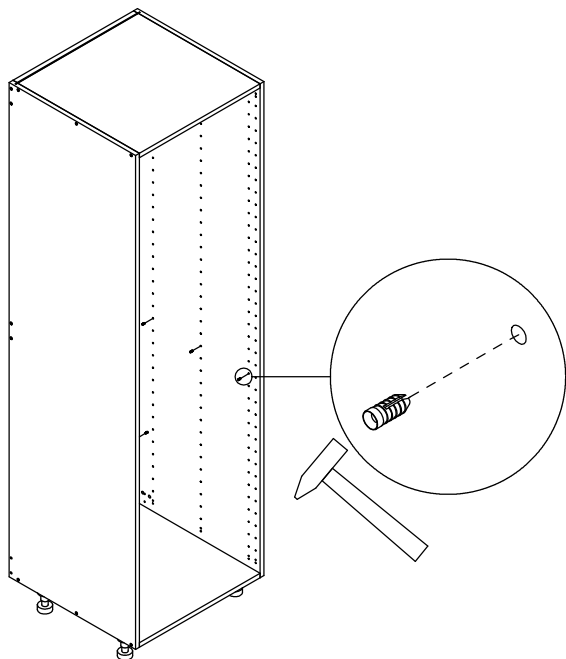


# INSTRUCTION GUIDE

## SHELF WITH INTEGRATED LINEAR LIGHT

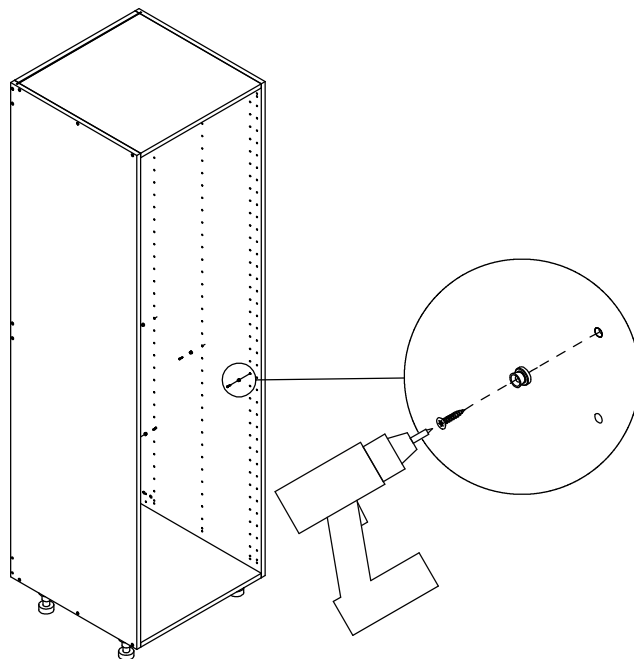


EUB-C-CABxx-SLF8xx



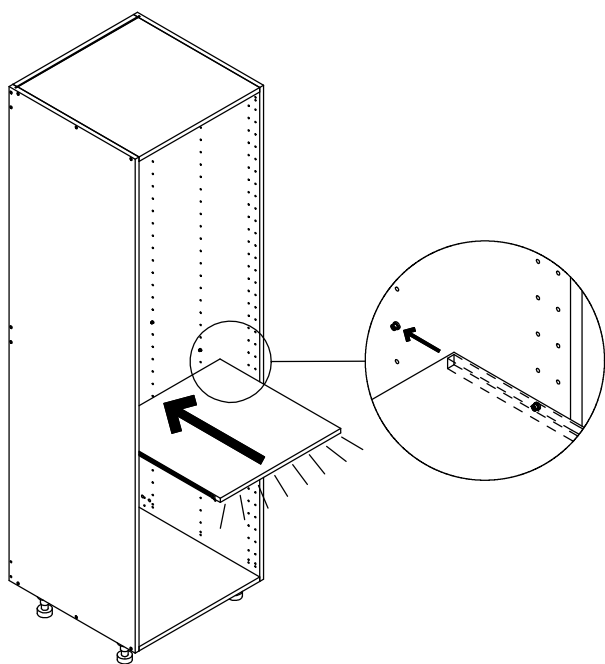
1

Knock in the bushings to your desired height by using a hammer. Do not install the doors before the shelf is in place. Consider hinge placement when planning the location of your shelf.



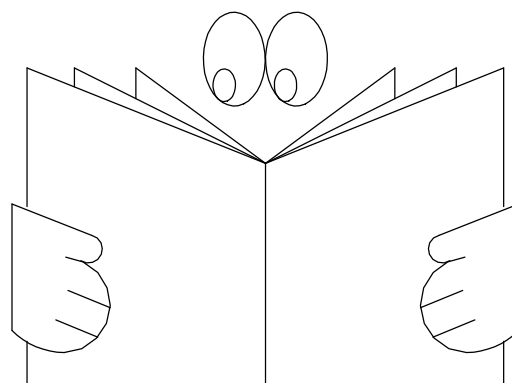
2

Fasten the screw through the plastic sleeve.



3

Slide the shelf onto the plastic sleeves.



4

Follow the linear light installation guide to root the wire.