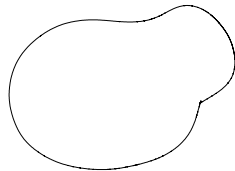
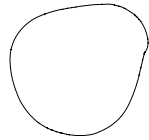
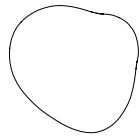


PRODUCT FACT SHEET

ATELIER HANDLES BY YUKARI HOTTA



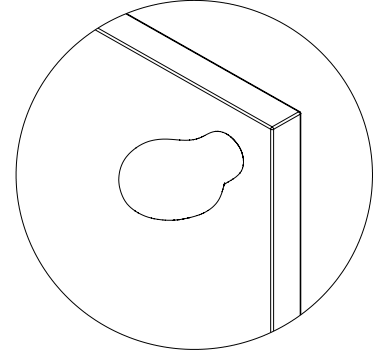
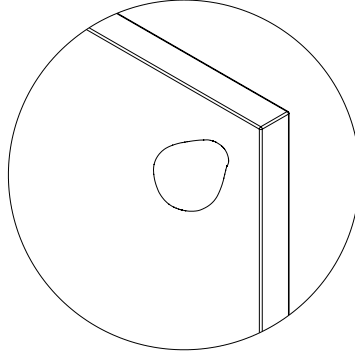
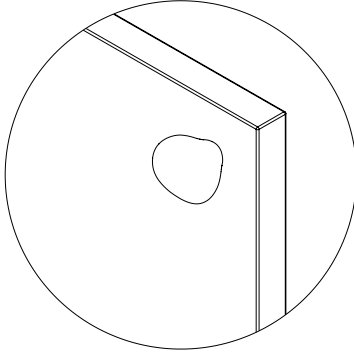
INTRO

The Atelier Collection invites four artists and designers to interpret four elementary materials; glass, ceramics, metal and wood, creating a series of handles. Nina Nørgaard, Yukari Hotta, Alberte Tranberg and Maria Bruun transform an everyday object into something highly personal, exploring the tension between craft and industrial manufacturing.

Working with ceramics in her daily practice, Yukari Hotta has contributed three different porcelain handles to the Atelier Collection. All three handles vary in shape and size and can be chosen in either black or white porcelain. The handles are compatible with the PLAIN and SHAKER collections.

Porcelain is a very hard-wearing material compared to other types of ceramics and stoneware, making it ideal for use in a kitchen. The handles have been sealed with a glaze, making them easy to clean and maintain.

SPECIFICATIONS



Knobs

Variants	YH01 Porcelain Knob YH02 Porcelain Knob YH03 Porcelain Knob
----------	---

Dimensions	Ø37 mm / 1 29/64" Ø42 mm / 1 21/32" Ø62 mm / 2 7/16"
------------	--

Material	Porcelain
----------	-----------

Colors	White Black
--------	----------------

Care and maintenance

The surface is sealed with a glaze and can be cleaned with a soft cloth dampened in warm water and a regular, mild household detergent.
