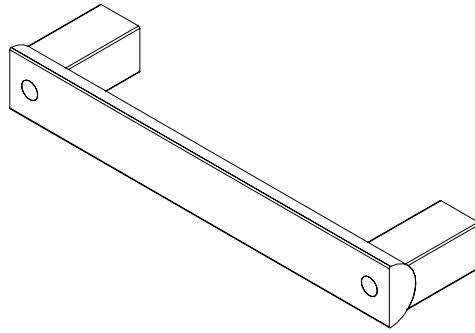
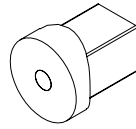


PRODUCT FACT SHEET

ATELIER HANDLES BY MARIA BRUUN



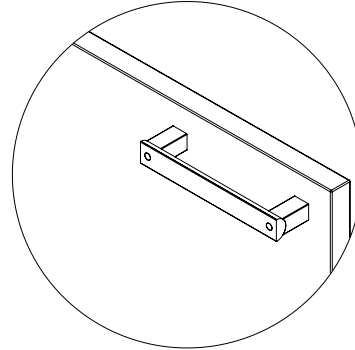
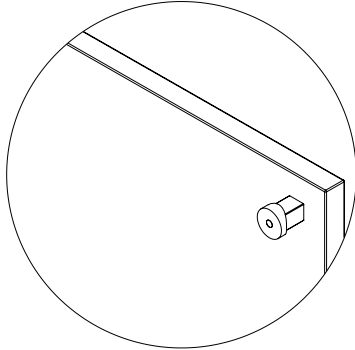
INTRO

The Atelier Collection invites four artists and designers to interpret four elementary materials; glass, ceramics, metal and wood, creating a series of handles. Nina Nørgaard, Yukari Hotta, Alberte Tranberg and Maria Bruun transform an everyday object into something highly personal, exploring the tension between craft and industrial manufacturing.

Designed by Maria Bruun, the wooden handles from the Atelier Collection come in two variants: a knob and a U-shaped handle. The wooden knob has a head diameter of 28 mm, and the wooden U-shaped handle has a length of 128 mm. The handles are compatible with the PLAIN and SHAKER collections.

Available in either natural or dark stained oak, both handles are made from solid European oak and have an integrated dowel made of dark black stained oak. The wooden handles are protected by a matte clear PU lacquer, making them easy to clean and maintain.

SPECIFICATIONS



Handles

Variants	MB01 Wood Knob MB02 Wood Handle
----------	------------------------------------

Dimensions	Ø28 mm / 1 7/64" L128 mm / 5 3/64"
------------	---------------------------------------

Material	Wood
----------	------

Colors	Natural Oak Dark Oak
--------	-------------------------

Care and maintenance

The surface is sealed with a matte clear lacquer and can be cleaned with a soft cloth dampened in warm water and a regular, mild household detergent.
