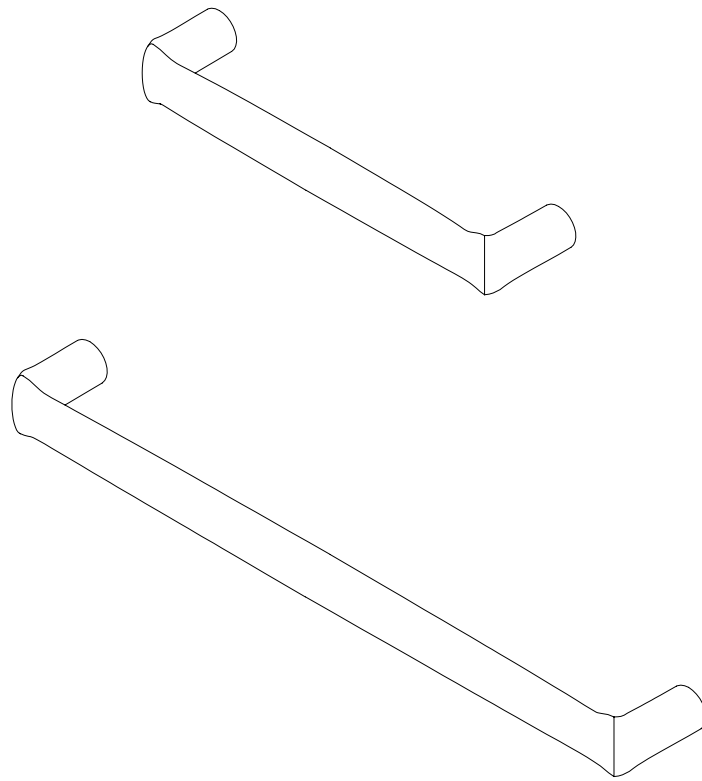


# PRODUCT FACT SHEET

## ATELIER HANDLES BY ALBERTE TRANBERG



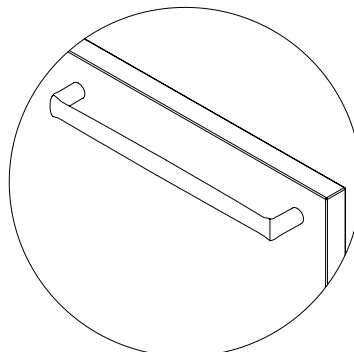
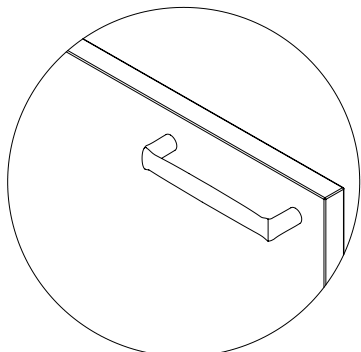
## INTRO

The Atelier Collection invites four artists and designers to interpret four elementary materials; glass, ceramics, metal and wood, creating a series of handles. Nina Nørgaard, Yukari Hotta, Alberte Tranberg and Maria Bruun transform an everyday object into something highly personal, exploring the tension between craft and industrial manufacturing.

The metal handles from the Atelier Collection are made by Alberte Tranberg. The U-shaped handles come in two sizes, each available in two variants: raw brass or oxidated brass. Both handles are made from a raw brass cylinder with an outer diameter of 13 mm and a length of either 128 mm or 224 mm.

The raw brass has been slightly brushed and tumbled without surface treatment sealing, which means it will patinate over time, adding to its unique appearance. The oxidized brass has been treated with a black burnish treatment and a matte lacquer to maintain its distinct character.

# SPECIFICATIONS



## Handles

Variants AT01 Metal Handle  
AT02 Metal Handle

Dimensions L128 mm / 5 3/64"  
L224 mm / 8 13/16"

Material Brass  
Dark Metal

## Care and maintenance

### Raw brass

The idea of using raw brass is to allow it to patinate over time, giving the handles a unique appearance. Therefore, the handles should only be daily cleaned with a soft cloth dampened in warm water and a normal, mild household detergent.

If you wish to polish the brass handles, we recommend using Brasso. It is important to carefully follow the instructions provided. Additionally, it is advised to cover the design panel to prevent any staining from the polishing agent. We recommend using masking tape with low/mild adhesive to cover the surface.

### Dark metal (oxidized brass)

The surface is sealed with a matte clear lacquer and can be cleaned with a soft cloth dampened in warm water and a regular, mild household detergent.