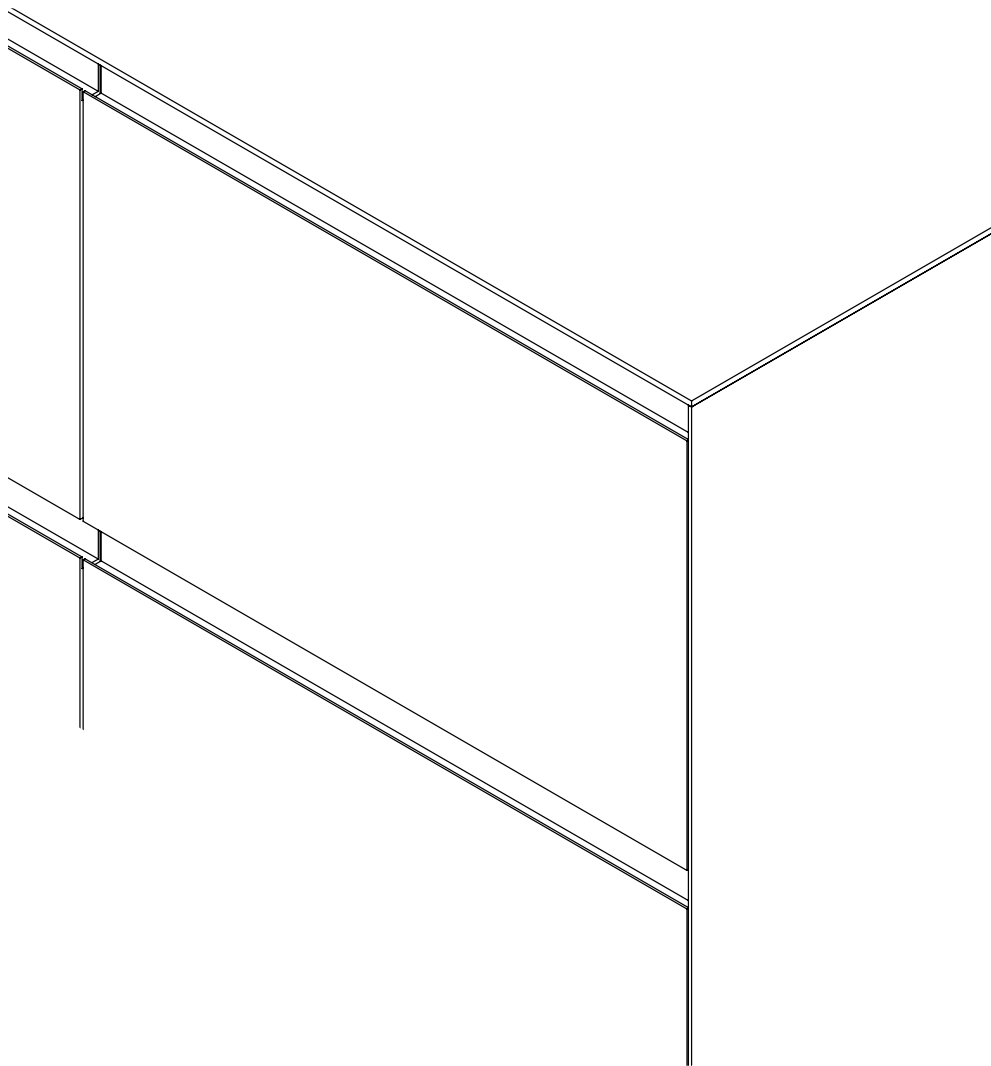


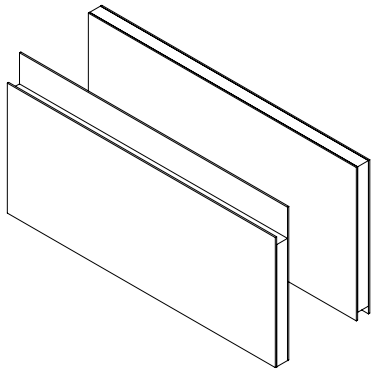
DESIGN FACT SHEET

PLATE BY STUDIO DAVID THULSTRUP

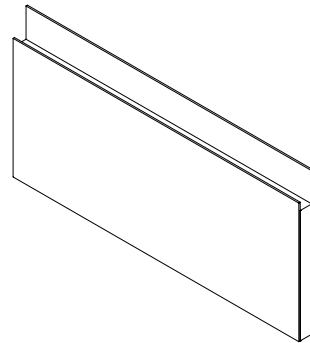


INTRO

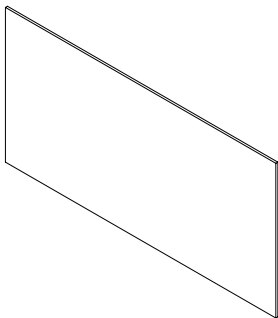
Designed to last in terms of style as well as materials, PLATE by David Thulstrup is classic, modern and uncompromisingly sincere. The brushed surface feels iconic yet remains refreshingly contemporary; a look that's raw, honest and elegantly unfiltered.



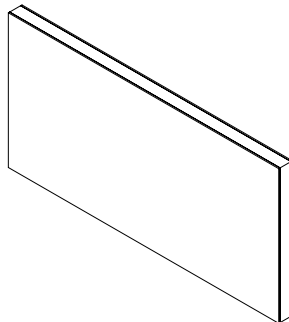
Doors



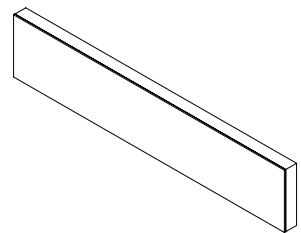
Drawers



Cover panels



Inserts



Plinths

FRONT VARIANTS

The PLATE design comes in a raw, hand-brushed version with a special, honed surface, which lends it a unique and original expression on both sides of the kitchen fronts.

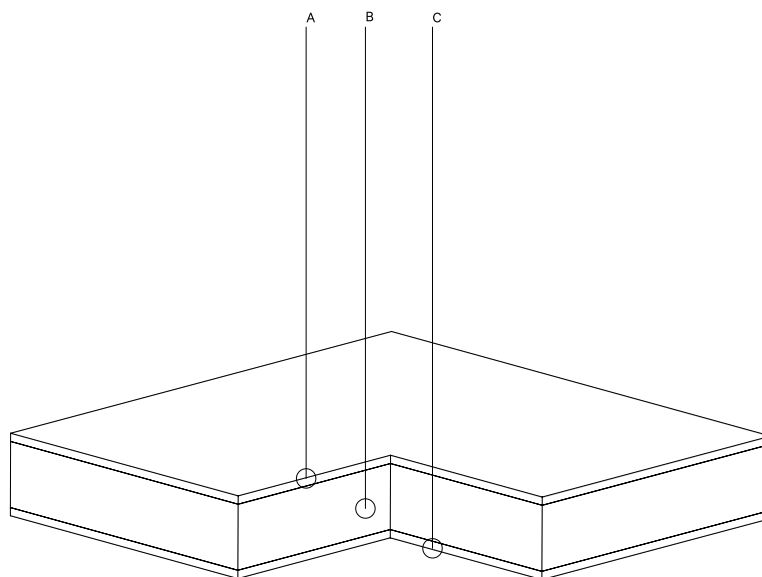
The edges are exposed, which makes the layered structure visible from the side, creating a timeless and unpolished look that lays bare the essence of the materials in an honest, unfiltered way.



ALUMINIUM-Brushed

FRONT SPECIFICATIONS

ALUMINIUM



Doors, Drawers and Blinds

Total thickness 20 mm / 25/32"

Corners and edges Radius 0.5 mm / 1/32"

Surface treatment Decor 800 brushing

A – Front 2 mm / 3/32" aluminium

B – Core 16 mm / 21/32" black colored MDF

C – Back 2 mm / 3/32" aluminium

D – Edgeband –

Please note that measurements may vary according to material tolerances

Cover Panels, Inserts and Plinths

For the PLATE design, all cover panels have been designed in aluminium with a special thickness of only 3 mm / 1/8 inch to create a sturdy counterpart to the fronts.

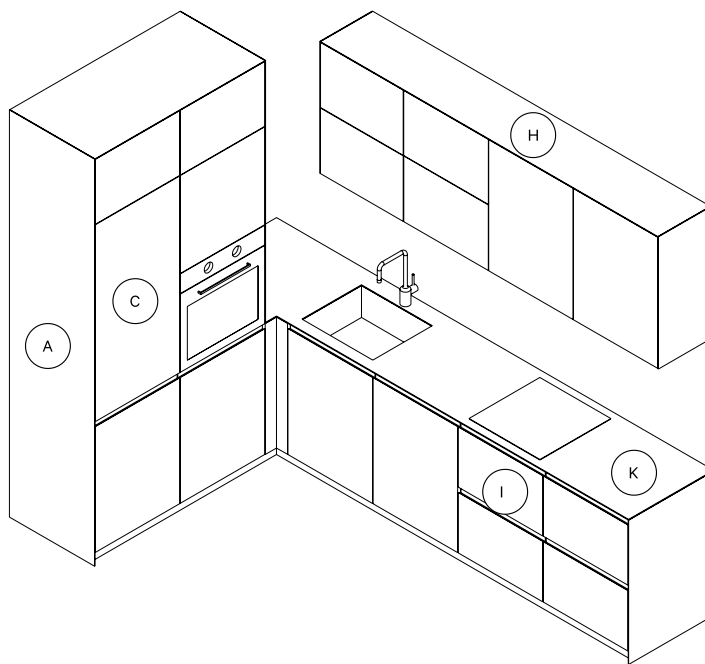
Inserts and plinths are identical in construction to the fronts with a surface of aluminium on a core of MDF.

Care and maintenance

The kitchen can be cleaned simply using a damp cloth. In addition, you can add normal, mild household detergent to the cleaning. It is recommended that the visible edges from the core material are treated with beeswax, annually or when needed, depending on the frequency of use and cleaning.

Please note that raw aluminium will oxidize over time, giving it a darker glow and the material will show marks such as fingerprints. The aging and patina are part of the design, and with time they will give the surface a rustic and industrial finish. However, the aluminium can be polished at any given time using aluminium polish.

DESIGN PRINCIPLES



Design recommendations

The designer recommends that all side panels cover the plinth to the floor (A). Furthermore, the designer recommends that cover panels below and above (H) the wall cabinets align with the depth of the cabinet, leaving the edge of the front exposed in the top and the bottom.

The PLATE design can be completed with cabinets and steel drawers in either black or white to bring a sturdy feel into the kitchen's interior.

Countertop recommendations

The designer recommends a 5 mm / 7/32" solid stainless steel countertop (K) with a non-directional brushing. The countertop has been selected because of its rustic and tactile surface that matches the industrial look and feel of the fronts.

Handles

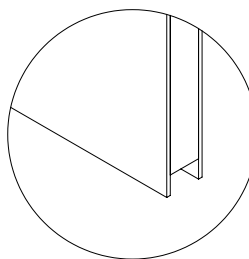
The PLATE handle comes with two types of integrated solutions; top handles (I) and bottom handles (C). You can grip the top handles from above – hence, they are placed on cabinets located in lower positions – while handles placed on cabinets in higher positions are gripped from below.

The top and bottom handles come together to make a unified integrated handle when you combine cabinets in lower and higher positions as outlined in the illustration. Note that the bottom handle can not be combined with a door below without a top handle and if this occurs, the push solution will be necessary for the top door.

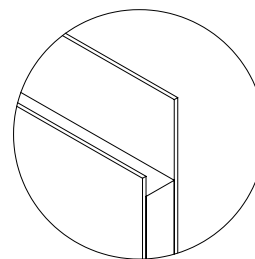
Handle specifications

Variants	Integrated
----------	------------

Dimensions	-
------------	---



Bottom handle



Top handle

COLORS AND MATERIALS

Aluminium



Brushed