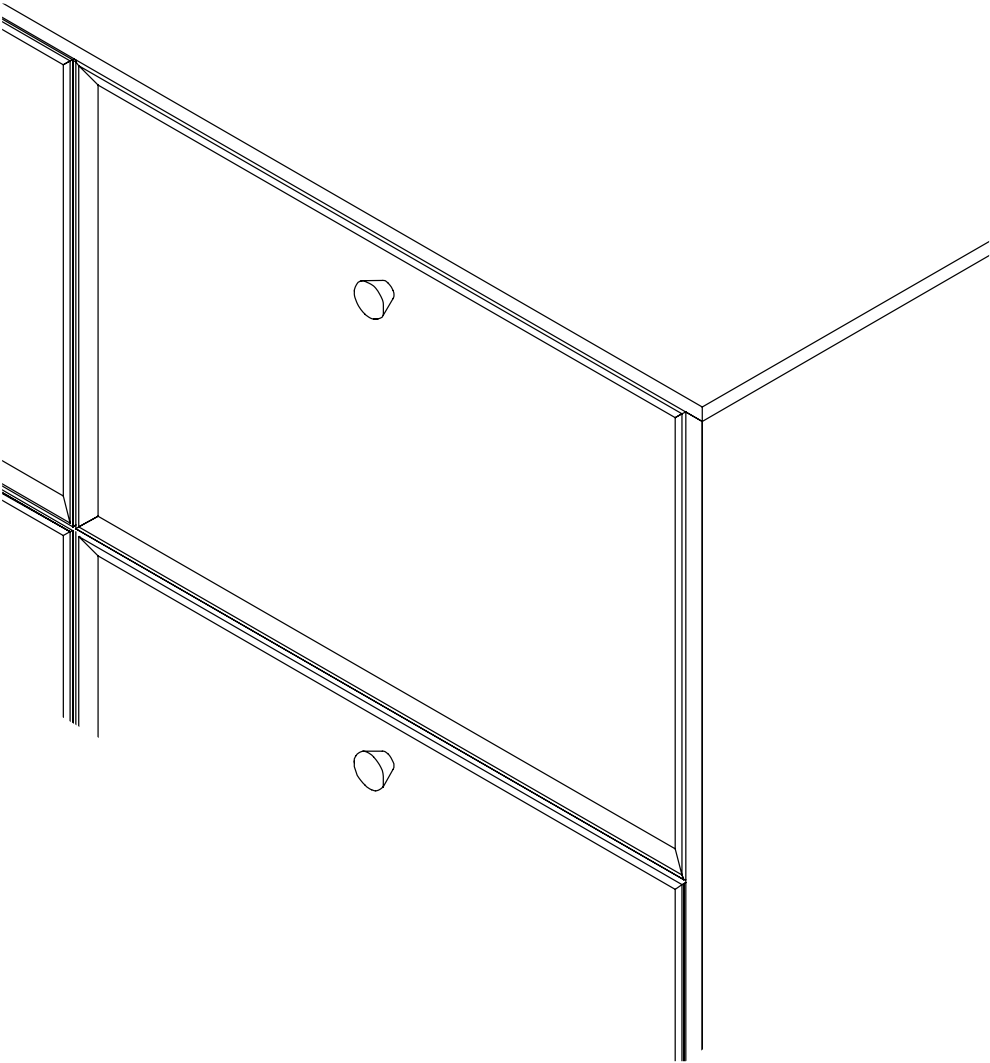


# DESIGN FACT SHEET

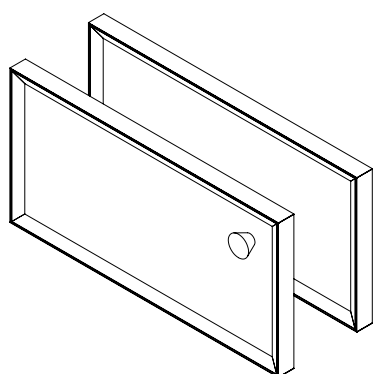
## FRAME BY NOTE



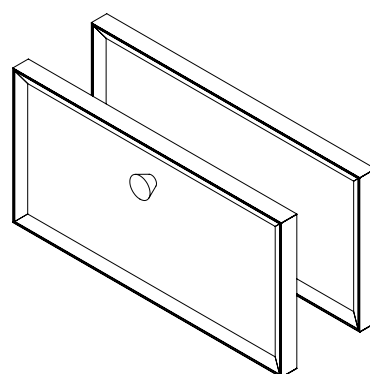
# INTRO

In FRAME by Note, nature's rich and varied color scheme brings warmth and vitality to a tactile, wooden kitchen design. Taking in multiple viewpoints from the studio's 16 designers and architects, the solution fuses these creative perspectives together in sturdy wood panels and robust wood for the lasting storage of your everyday items.

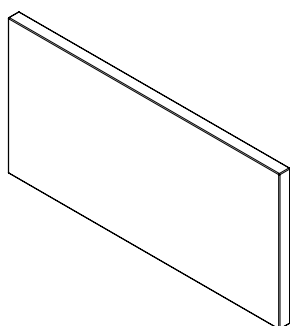
FRAME lets time-honored Scandinavian design meet Note's renowned, contemporary creativity for an updated take on the classic kitchen that merges the clean lines of the north with a warm and tactile, human-centered approach.



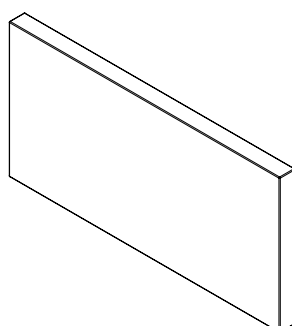
**Doors**



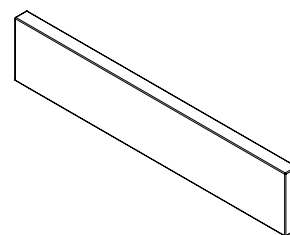
**Drawers**



**Cover panels**



**Inserts**



**Plinths**

## FRONT VARIANTS

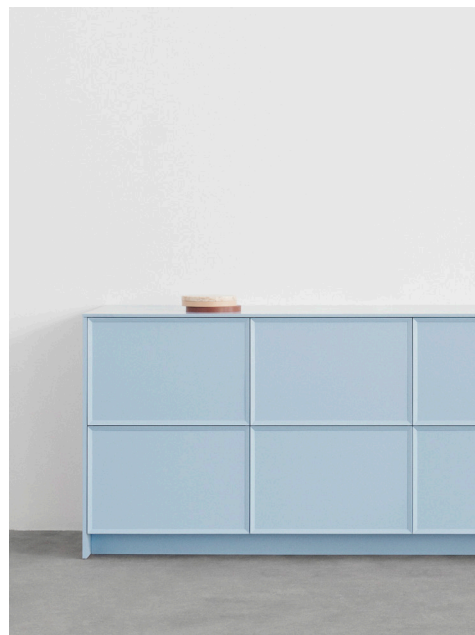
FRAME by Note is made from wood veneer placed on robust particleboard. The kitchen design comes in two variants: Wood veneer and Painted veneer. Wood version in color Dark Oak has been treated with hard wax oil containing a brown pigment that causes the lines in the wood to be visible in an understated manner. Small color differences may occur in the veneer and the hard wax oil will accentuate these differences, creating a vibrant and rustic surface. The Painted veneer variant is available in Soft White and Blue, and the lines in the wood structure are visible, giving the kitchen a vibrant and natural finish.



WOOD VENEER-Dark Oak



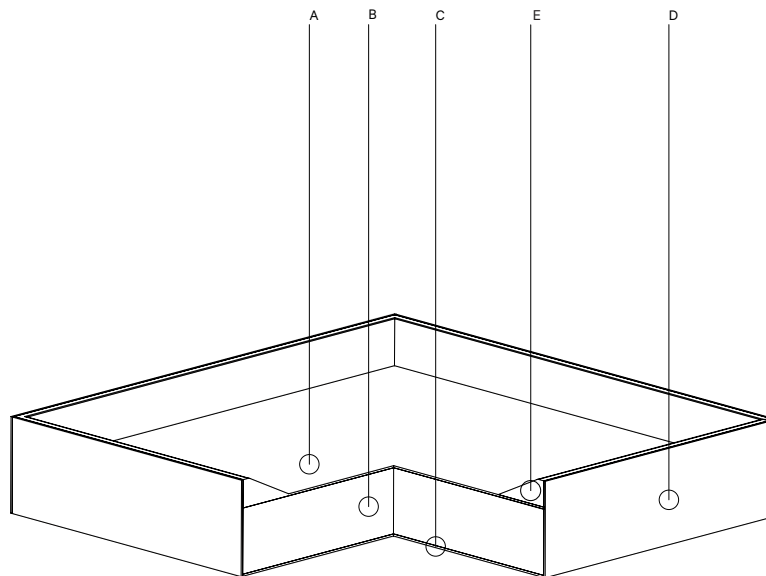
PAINTED VENEER-Soft White



PAINTED VENEER-Blue

# FRONT SPECIFICATIONS

## OAK



### Doors, Drawers and Blinds

Total thickness 23 mm / 29/32"

Corners and edges Radius 1 mm / 1/32"

Grain direction Vertical

Surface treatment Ground oil and hard way oil

A – Front 0.5 mm / 1/32" engineered wood veneer

B – Core 16 mm / 21/32 chipboard

C – Back 0.5 mm / 1/32" engineered wood veneer

D – Edgeband 0.5 mm / 1/32" veneered European oak

E – Frame solid wood European oak

Please note that measurements may vary according to material tolerances

### Cover Panels, Inserts and Plinths

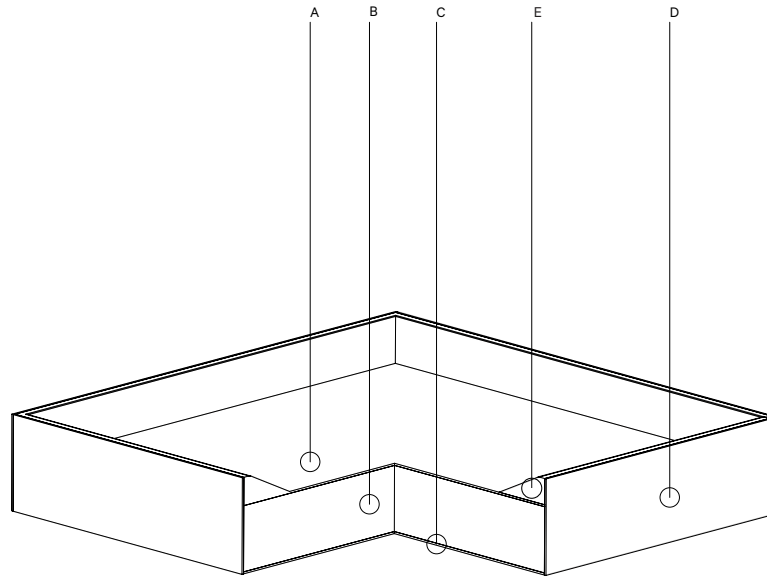
In the FRAME design, all cover panels have been designed with a special thickness of only 16 mm / 21/32" in the effort to frame the fronts elegantly

Apart from the special thickness, cover panels, inserts and plinths are identical in construction to the fronts with a surface of wood veneer on a core of chipboard. These elements come without the triangular profiles.

### Care and maintenance

The fronts in wood veneer can be cleaned with normal, mild household detergent. Remember to finish off by wiping with a dry soft cloth. In addition, a biannual treatment with hard wax oil is recommended for the Dark Oak, oiled design version.

## FRONT SPECIFICATIONS PAINTED VENEER



### Doors, Drawers and Blinds

Total thickness 23 mm / 29/32"

Corners and edges Radius 1 mm / 1/32"

Grain direction Vertical

Surface treatment Painted (Polyurethane, two component, gloss 20)

A – Front 0.5 mm / 1/32" veneered European oak

B – Core 16 mm / 21/32 chipboard

C – Back 0.5 mm / 1/32" veneered European oak

D – Edgeband 0.5 mm / 1/32" veneered European oak

E – Frame solid wood European oak

Please note that measurements may vary according to material tolerances

### Cover Panels, Inserts and Plinths

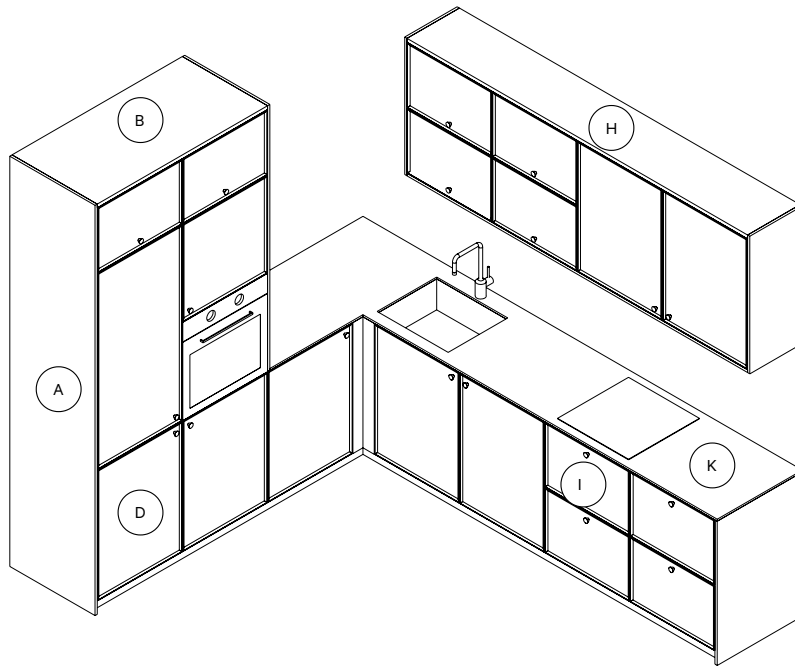
In the FRAME design, all cover panels have been designed with a special thickness of only 16 mm / 21/32" in the effort to frame the fronts elegantly

Apart from the special thickness, cover panels, inserts and plinths are identical in construction to the fronts with a surface of wood veneer on a core of chipboard. These elements come without the triangular profiles.

### Care and maintenance

The fronts in painted veneer can be cleaned with a soft cloth wrung in warm water and normal, mild household detergent. Remember to finish off by wiping with a dry soft cloth.

## DESIGN PRINCIPLES



### Design recommendations

The designer recommends choosing a height for all side panels (A) that frames the design by covering the plinth to the floor. Furthermore, the designer recommends adding cover panels below and above (H) wall cabinets as well as above high cabinets (B) to create the framed look throughout the kitchen.

For the FRAME design, we recommend choosing cabinets and wooden drawers in natural oak to complete the natural, tactile look and feel — the combination is great for the fronts in Dark Oak, but even better for the colored variant as the natural oak will subtly complement the visible wood structure on the fronts.

### Countertop recommendations

Note recommend getting the Corian countertop (K) for the FRAME design. A dynamic and versatile material with an undulating color spectrum, the Corian countertop matches the design holistically in the chosen nuances Willow and Cacao Brown. Alternatively, consider Dekton in Zenith White, for a refined and durable finish.

### Handles

The design is conceived as a push-to-open solution. However, handles are recommended for any built-in appliances. Choosing handles for all fronts is also an option.

The FRAME handle comes in brass and stainless steel with a dimension of 30 mm / 1 3/16" in diameter and 17 mm / 11/16" in depth.

The handles are purchased separately and mounted externally by the customer to pre-drilled drillings. The handle position is typically positioned in the center of the top on drawers (I) and in one of the corners on doors (D).

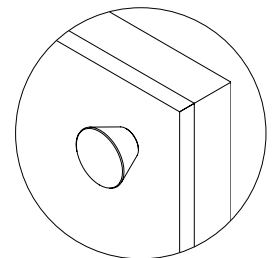
### Handle specifications

Variants

Brass  
Metal

Dimensions

Diameter 30 mm / 1 3/16"



# COLORS AND MATERIALS

## Wood veneer

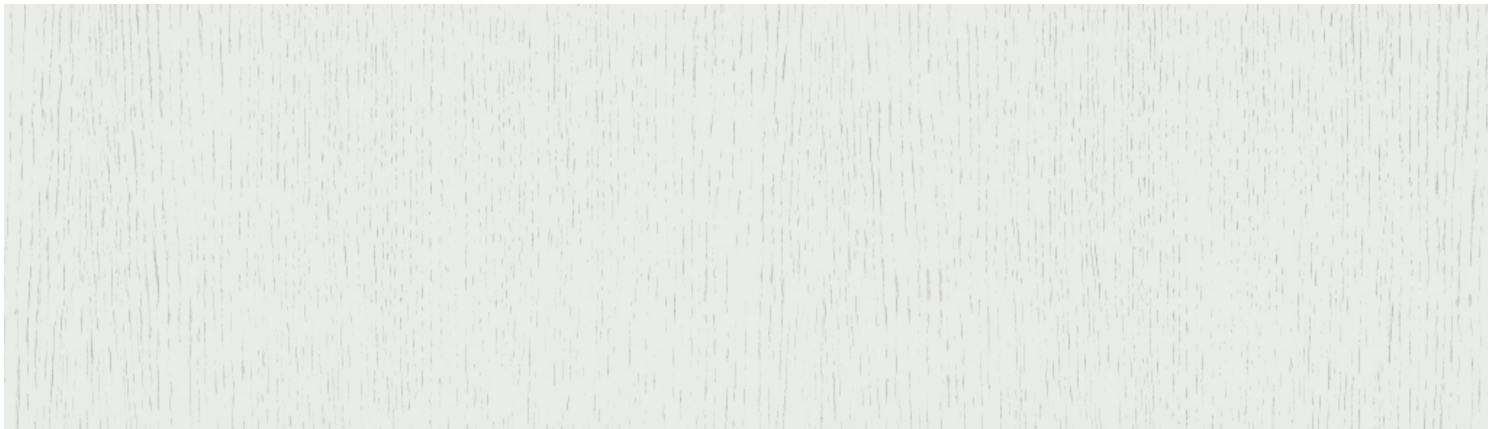
---



Dark Oak

## Painted veneer

---



Soft White



Blue