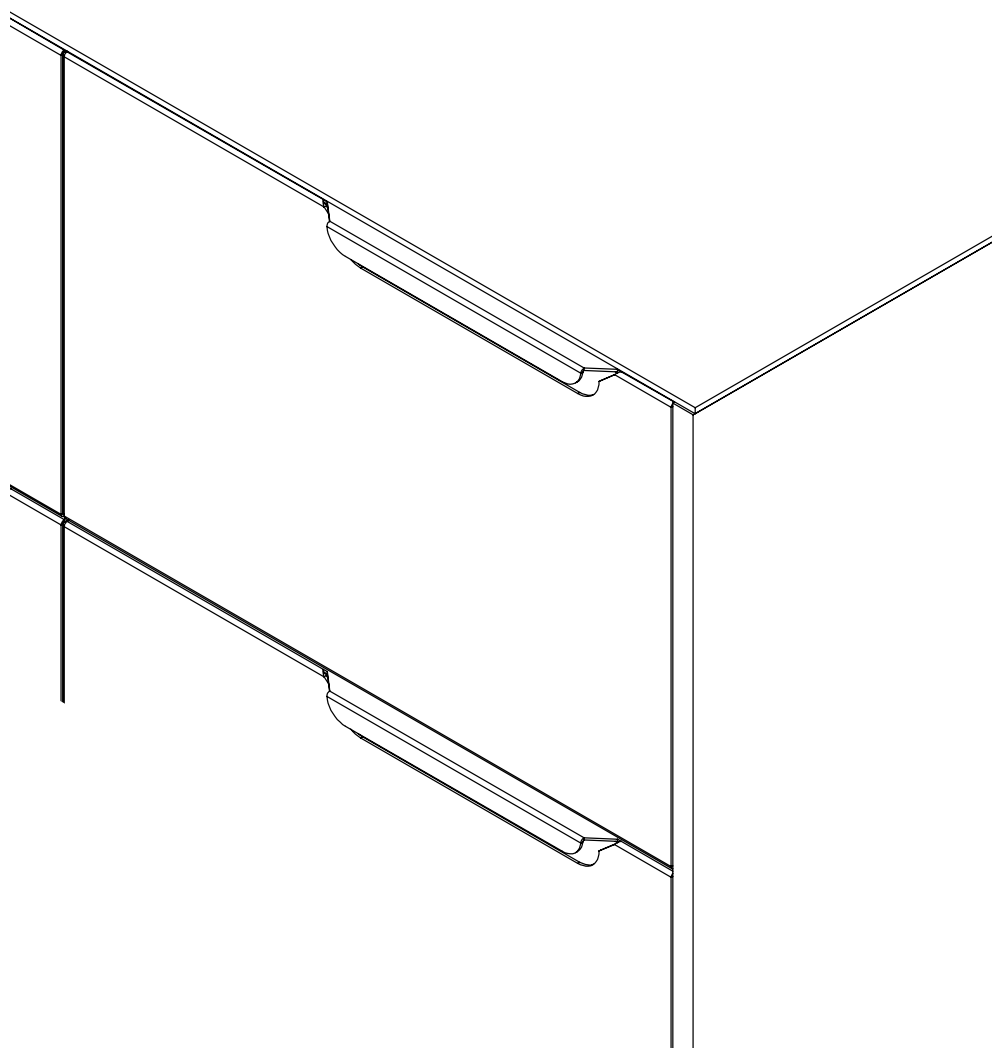


# DESIGN FACT SHEET

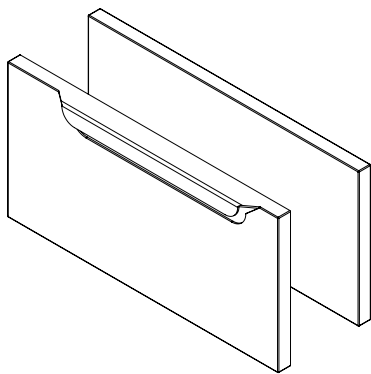
## FOLD BY SIGURD LARSEN



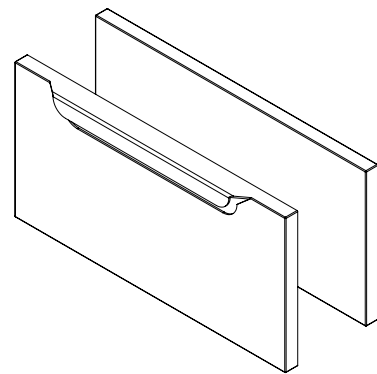
# INTRO

With simplicity, beauty and logic as his keynotes, Sigurd Larsen has created FOLD, a kitchen design that combines function and feeling. The folds in the design provide a clean and clear expression merging with a surface powder coating to form a product with a pure and holistic finish.

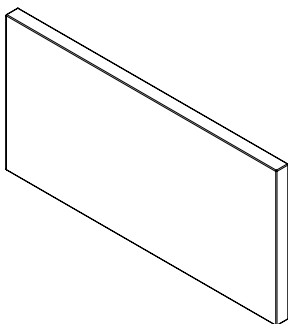
A kitchen provides the setting for the daily creativity involved in cooking, playing and celebrating, and it was important for Sigurd Larsen to design surfaces that could tolerate constant use over time.



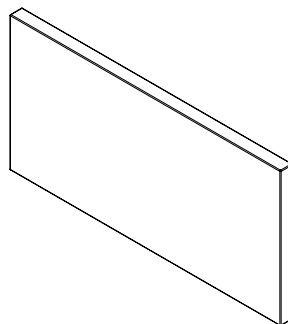
Doors



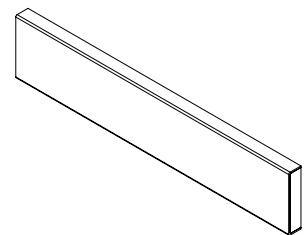
Drawers



Cover panels



Inserts



Plinths

## FRONT VARIANTS

FOLD by Sigurd Larsen comes in two variants: Anthracite and Raw. Both variants are made from a post plate with a 2 mm aluminum plate folded around it. The first variant comes in powder-coated aluminum in the color Anthracite. The surface has a pleasant texture due to the powder coating, which makes it tactile and matte.

The second kitchen design is a raw, brushed aluminum version. The raw aluminum is round brushed, giving it a scratched, criss-cross pattern to make the surface tactile and matte. The raw aluminum will change color over time, and it will oxidize slightly, providing a slightly darker glow.



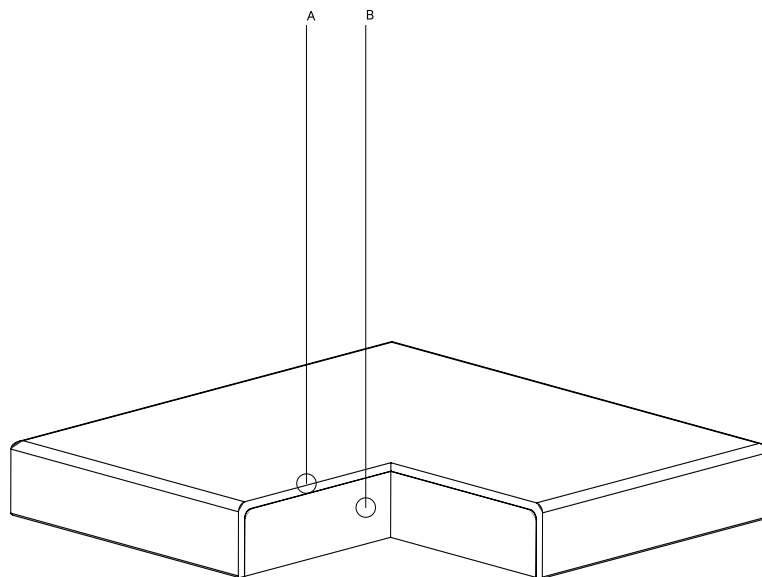
ALUMINIUM-Raw



ALUMINIUM - Anthracite

# FRONT SPECIFICATIONS

## ALUMINIUM



### Doors, Drawers and Blinds

Total thickness 19 mm / 3/4"

Corners and edges  
 Corner: Radius 2 mm / 3/32"  
 Edge: Radius 0.5 mm / 1/32"

Surface treatment  
 Raw: Brushed  
 Anthracite: Powder coated, painted (gloss 10)

A – Front 2 mm / 3/32" aluminium  
 B – Core 16 mm / 5/8" gray or black colored MFC  
 C – Back –  
 D – Edgeband –

Please note that measurements may vary according to material tolerances

### Cover Panels, Inserts and Plinths

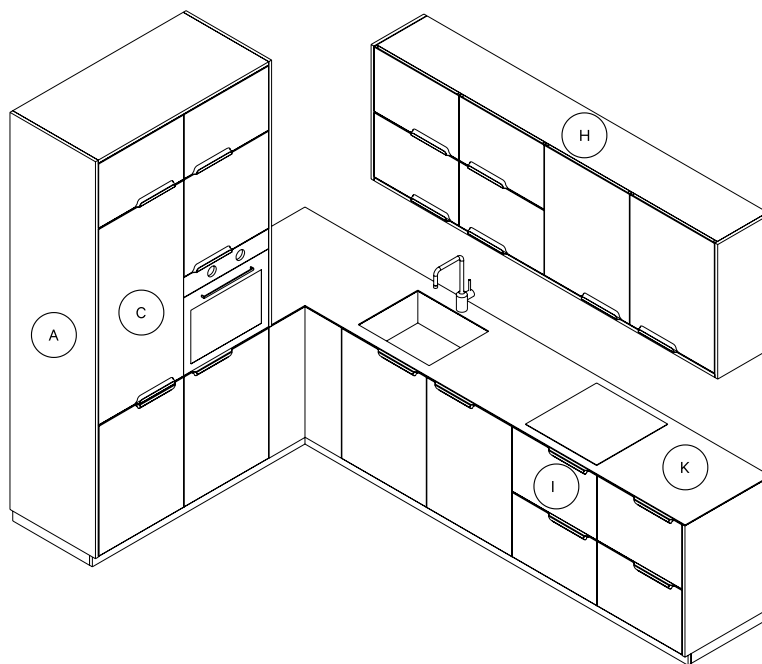
Cover panels, inserts and plinths are designed to match the fronts with identical composition and thickness. The aluminium is folded around all edges. The backside of the cover panels will be either black or gray depending on the front variant.

### Care and maintenance

The kitchen can be cleaned using a damp cloth. In addition, you can add normal, mild household detergent to the cleaning.

Please note that the raw aluminium will oxidize over time, giving it a darker glow and the material will show marks such as fingerprints. The aging and patina are part of the design, making the surface rustic and industrial. However, the aluminium can be polished at any given time using aluminium polish.

## DESIGN PRINCIPLES



### Design recommendations

The designer Sigurd Larsen recommends choosing side panels (A) in a height that leaves a glimpse of the plinth from the side. Furthermore, the designer recommends cover panels below as well as above (H) the wall cabinets to create a framed look.

The FOLD design can be completed with cabinets and steel drawers in black which match and complement the color scale of the design while following the industrial design aesthetic.

### Countertop recommendations

The designer recommends a 5 mm / 7/32" solid stainless steel countertop (K) for the FOLD design with the aim of matching the rustic and industrial look and feel of the design—and to stay true to the principle of using durable materials that tolerate constant use.

### Handles

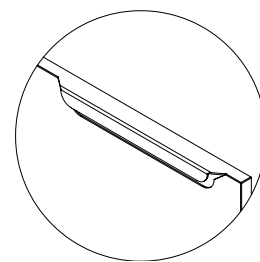
The FOLD handle is integrated into the design and always positioned horizontally on the front. Handles on fronts with a width of 40 cm / 15" are always centered in the top, while handles on fronts with a width of 60 and 80 cm or more than 15" are placed either top left or right (I). Due to the length of the handle, fronts with a width of 30 cm or less / less than 15" will be ordered without handles (and operated with a push-to-open solution).

For high cabinets, the handle will be positioned horizontally and mid-height on the door in either the left or right side of the front (C) and always opposite to the side where the hinges are placed.

### Handle specifications

Variants	Integrated
----------	------------

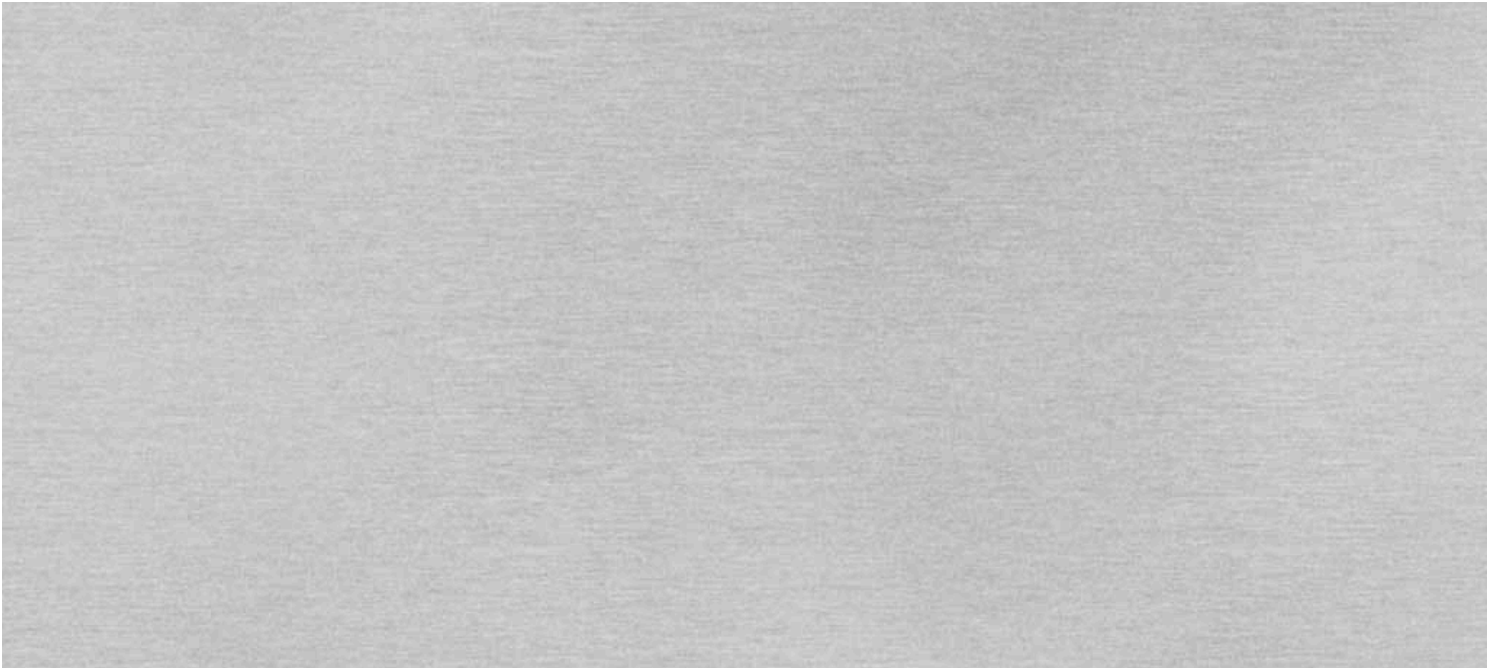
Dimensions	-
------------	---



# COLORS AND MATERIALS

## Aluminium

---



## Raw



## Anthracite

## Reform