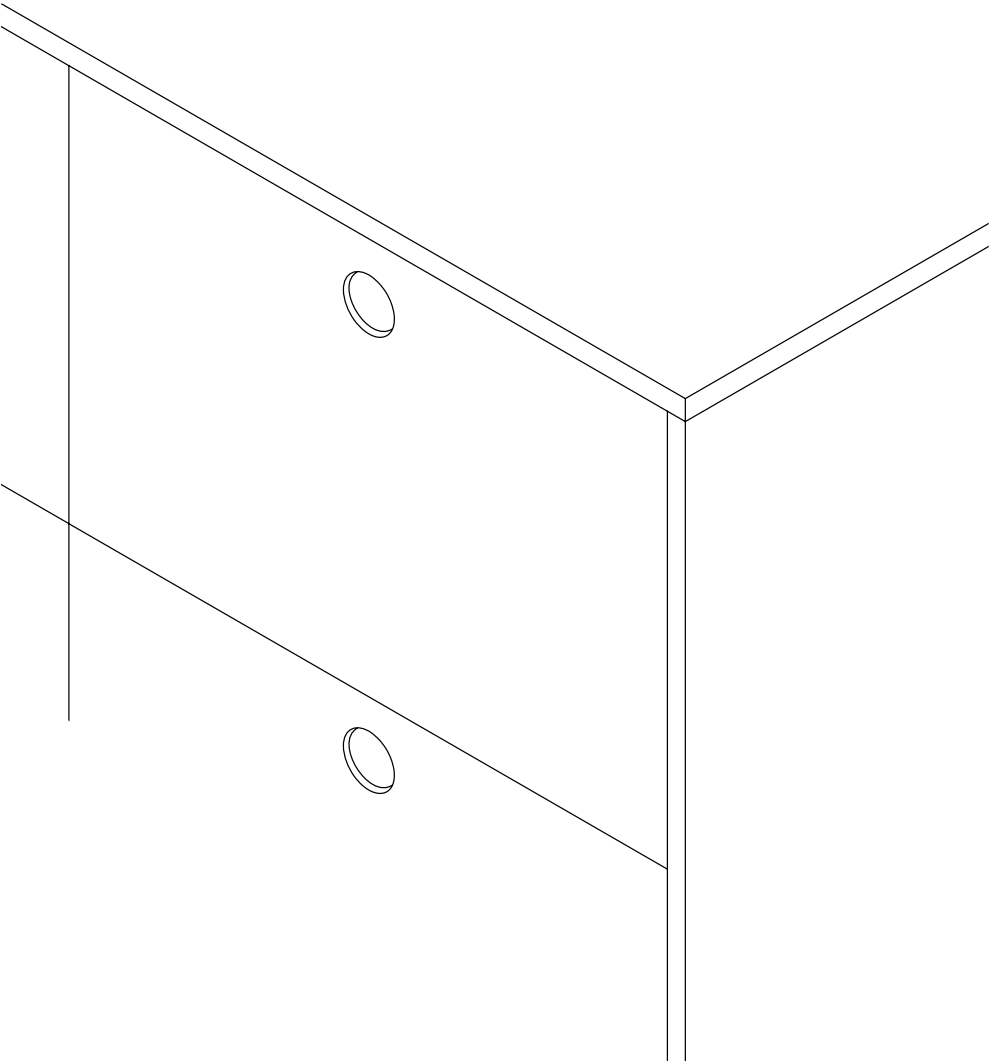


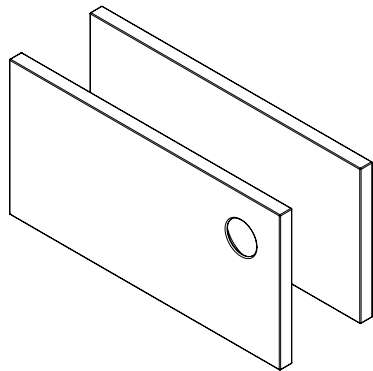
# DESIGN FACT SHEET BASIS



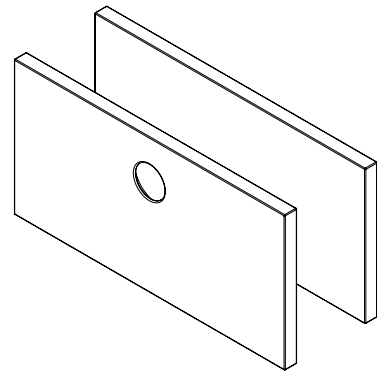
# INTRO

BASIS is inspired by the timeless Scandinavian architect kitchens of the 1960s. Crafted to meet the changing needs of contemporary life, the design features a new take on the iconic, round handle as its functional centerpiece.

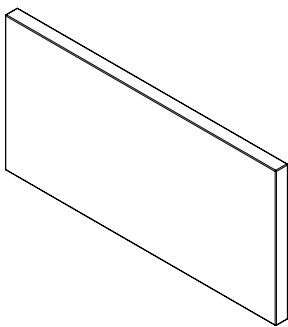
The kitchen design is available in a wide range of lasting colors and materials, making BASIS one of our most customizable and versatile kitchens.



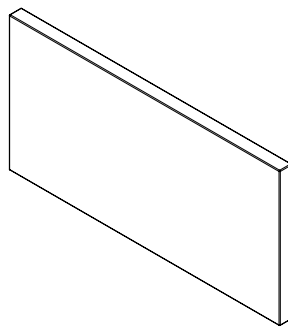
Doors



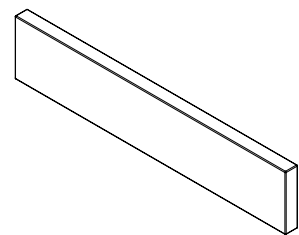
Drawers



Cover panels



Inserts



Plinths

## FRONT VARIANTS

The BASIS design comes in four different styles; painted, linoleum, natural veneered oak and smoked veneered oak. All four styles are characterized by the classic carpenter-milled-in round handle—a detail that brings warmth and elegance to the design.

The standard BASIS design comes in 18 different colors, letting you choose your own unique and personalized expression. The linoleum fronts are produced with a MDF veneered – in either natural oak or smoked oak – on the back and solid oak on the edges.

Veneer and linoleum are both natural materials. Hence, differences in shading may occur. Natural oak contains many different nuances, which are a natural part of the vibrant structure of the tree. As a result of these material properties, each order comes with a unique variation caused by the grain of the wood.



LINOLEUM—Multiple colors



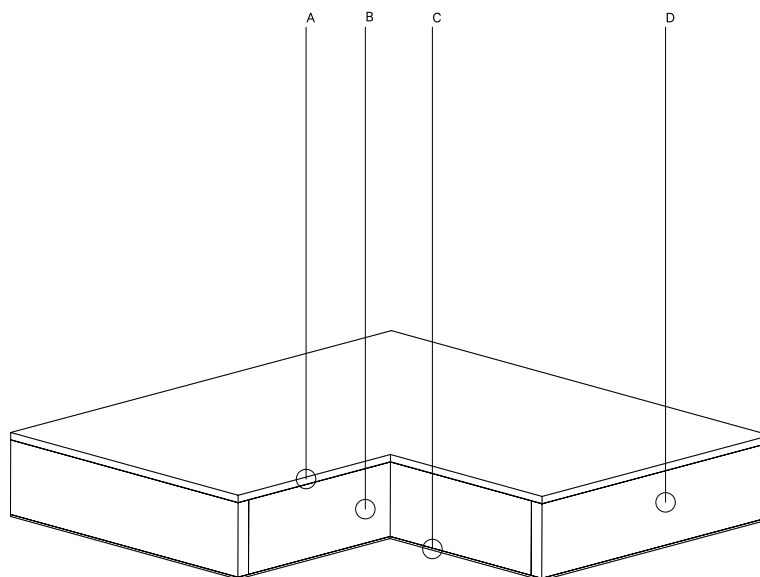
PAINTED—Multiple colors



OAK—Natural / Smoked

# FRONT SPECIFICATIONS

## LINOLEUM



### Doors, Drawers and Blinds

Total thickness 21 mm / 27/32"

Corners and edges Radius 2-3 mm / 1/16 - 1/8"

Surface treatment -

A – Front	2 mm / 3/32" Forbo furniture linoleum
B – Core	18 mm / 23/32" standard MDF
C – Back	0.5 mm / 1/32" veneered European oak
D – Edgeband	3 mm / 1/8" solid European oak

Please note that measurements may vary according to material tolerances

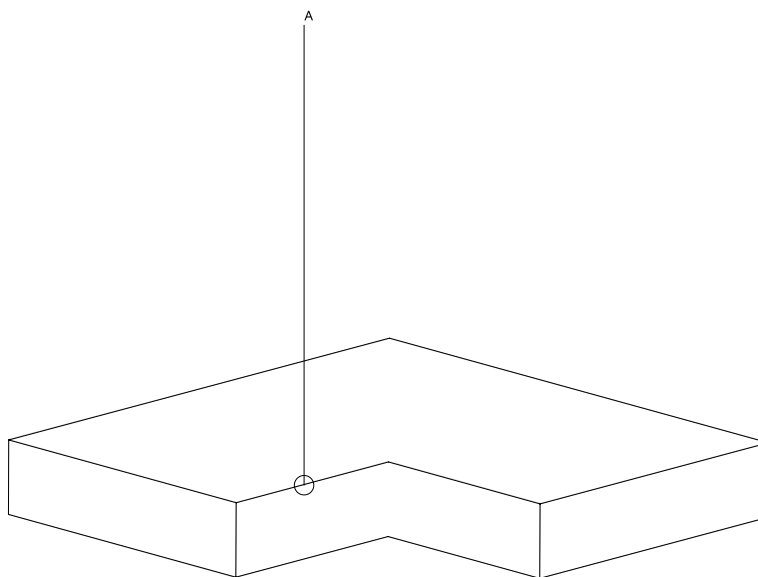
### Cover Panels, Inserts and Plinths

Cover panels, inserts and plinths are designed to match the fronts with identical composition and thickness.

### Care and maintenance

The linoleum fronts can be cleaned with a pH neutral detergent and preferably linoleum cleaner. To ensure that the linoleum stays durable and retains its finish over time, we recommend an occasional deep cleaning using a linoleum care product. This makes the linoleum more resilient and resistant to wear and impact.

# FRONT SPECIFICATIONS PAINTED



## Doors, Drawers and Blinds

---

Total thickness 19 mm / 3/4"

---

Corners and edges Radius 2 mm / 3/32"

---

Surface treatment Painted (polyurethane, two component, gloss 25)

---

A – Front 19 mm / 3/4" painted standard MDF

B – Core –

C – Back –

D – Edgeband –

---

Please note that measurements may vary according to material tolerances

## Cover Panels, Inserts and Plinths

---

Cover panels, inserts and plinths are designed to match the fronts with identical composition and thickness.

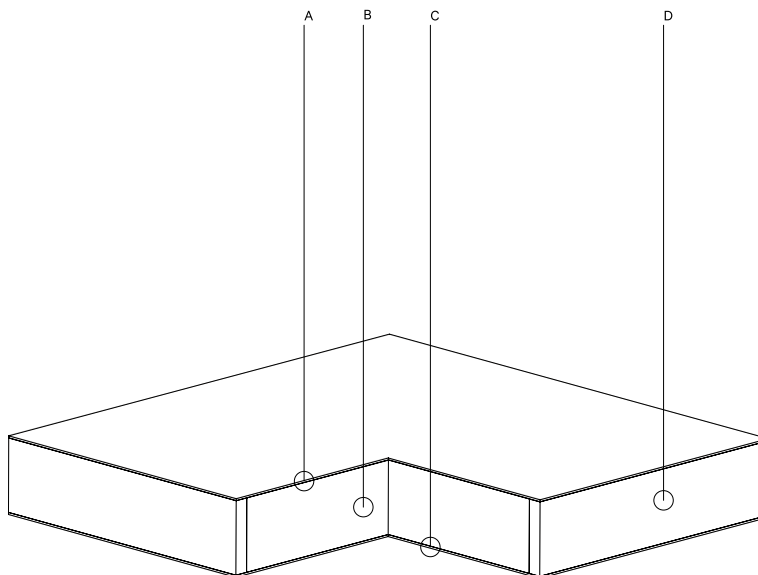
## Care and maintenance

---

The painted fronts can be cleaned with a soft cloth wrung in warm water and normal, mild household detergent. Remember to finish by wiping off with a dry soft cloth.

# FRONT SPECIFICATIONS

## OAK



### Doors, Drawers and Blinds

Total thickness 19 mm / 3/4"

Corners and edges Radius 2-3 mm / 1/16 - 1/8"

Grain direction Vertical

Surface treatment Beeswax

A – Front 0.5 mm / 1/32" veneered European oak

B – Core 18 mm / 23/32" standard MDF

C – Back 0.5 mm / 1/32" veneered European oak

D – Edgeband 3 mm / 1/8" solid European oak

### Cover Panels, Inserts and Plinths

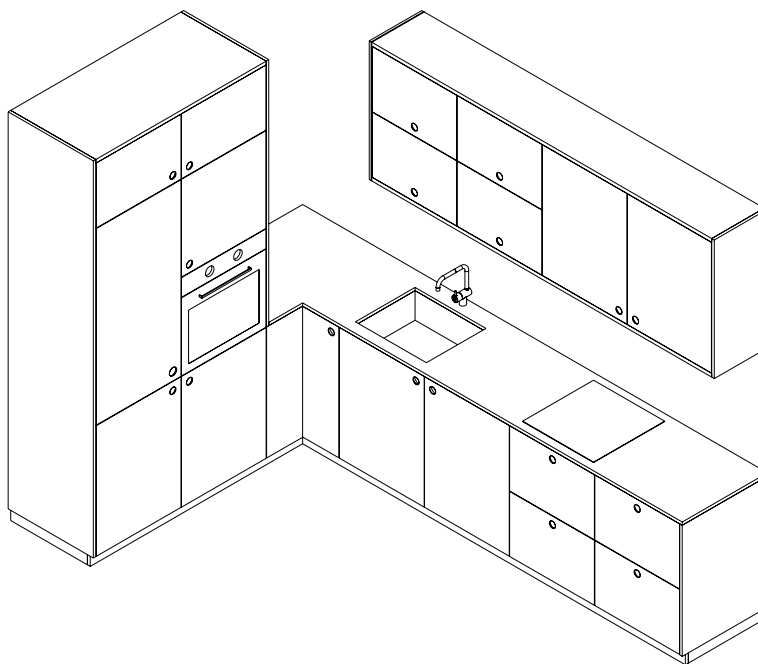
Cover panels, inserts and plinths are designed to match the fronts with identical composition and thickness.

### Care and maintenance

The fronts in veneered oak can be cleaned by wiping a soft, lint-free cloth with lukewarm water in the direction of the grain. In addition, a biannual treatment with either natural or dark beeswax is recommended.

Please note that measurements may vary according to material tolerances

## DESIGN PRINCIPLES



### Design recommendations

BASIS is a flexible design with a wide range of colors and options to suit your taste and needs. You can choose one variant for a clean, uniform look or combine different colors to create a more playful kitchen.

Complete the BASIS design with cabinets and wooden drawers in natural oak to complement the oak details in the design such as the oak edge on the linoleum fronts or the oak handles in the painted variant.

### Countertop recommendations

We recommend combining the BASIS design with a countertop in linoleum. The solid oak edge on the countertop complements the natural oak of the milled-in BASIS handle, making the whole kitchen elegant and complete. As an alternative to linoleum, we recommend a solid wood countertop as it complements the BASIS handle.

### Handles

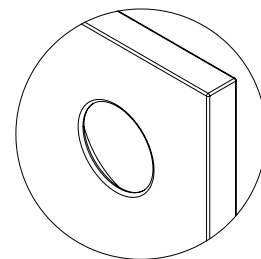
The BASIS handle is a circular handle with a diameter of 44 mm / 1 3/4" and a depth of 15 mm / 19/32". The handle is available in natural oak veneer, smoked oak veneer or a spray-painted veneer with visible wood grain.

The design can also be ordered without handles, leaving the possibility of mounting a handle of your own choice onto the design—or choosing a push-to-open solution.

### Handle specifications

Variants	Painted
	Natural oak
	Smoked oak

Dimensions	Diameter 44 mm / 1 3/4"
------------	-------------------------



# COLORS AND MATERIALS

## Linoleum

---



Mushroom



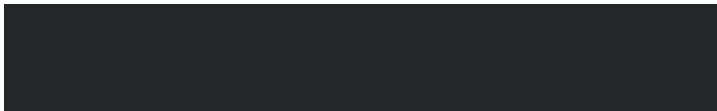
Vapour



Smokey Blue



Charcoal



Nero



Pistachio



Olive



Pebble



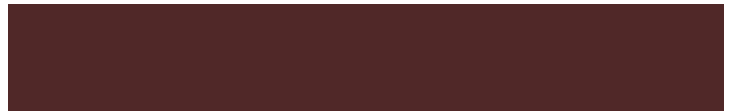
Ash



Pewter



Mauve



Burgundy



Conifer



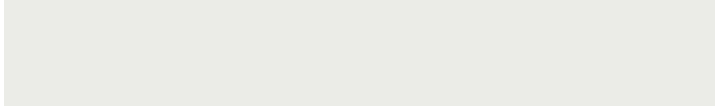
# MATERIALS

## Painted

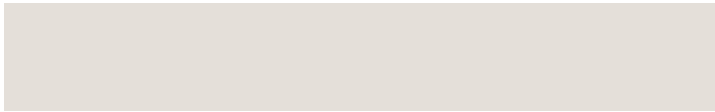
---



Concrete



White



Light Sand



Sand



Soft White



Light Pebble



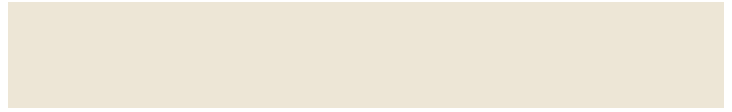
Stone



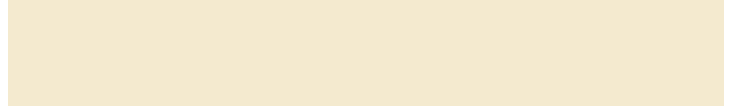
Dark Gray



Deep Green



Fresh Cream



Old White



Sour Yellow



Dusty Orange



Real Red



Dark Umbra



Navy Blue



Slate Gray



Cloudy Blue

## Oak

---



Natural



Smoked

## Reform