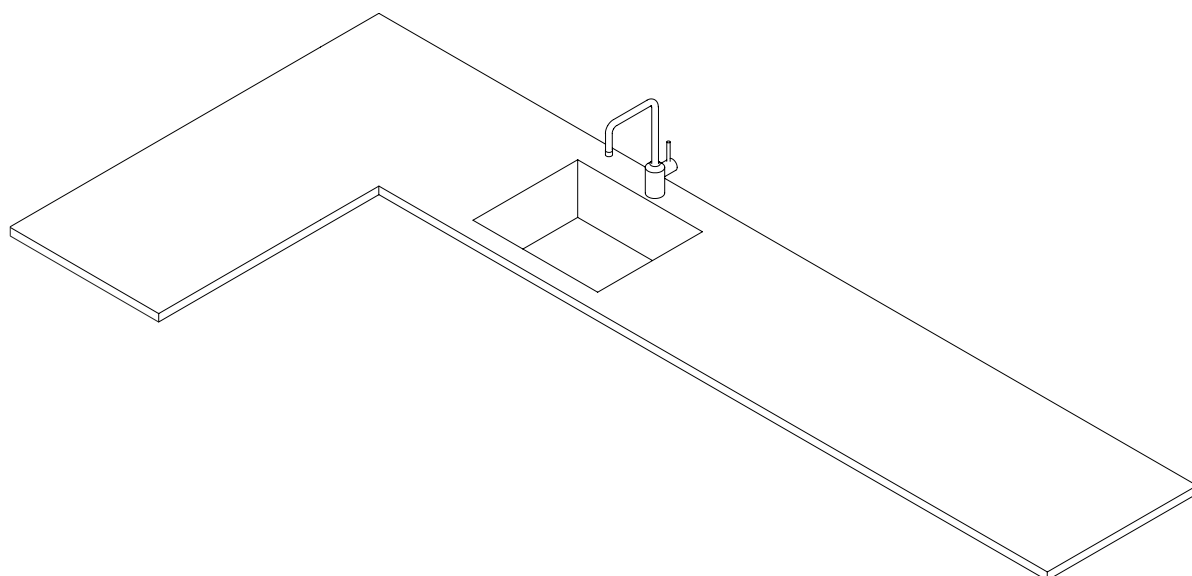


# COUNTERTOP FACT SHEET

## STAINLESS STEEL



# STAINLESS STEEL



With its sleek and timeless finish, the steel countertop creates a durable, contemporary work surface that only gets better with age. The steel countertop is very hygienic, practical and easy to clean and it doesn't require extensive maintenance. The material is very durable and retains its even surface despite being subjected to various forms of wear and impact over longer periods of time.

### Good to know

When it comes to steel countertops, patina means that the surface will get scratched and with time these scratches will add up to a more worn look and feel. However, this won't diminish the countertop's aesthetic or hygienic qualities. The wear of living creates a unique and personalized expression. In spite of the material's durability, we recommend using trivets as the surface may take on damage from excessive heat.

### Care & maintenance

Steel isn't acid-resistant. Hence, acid-based cleaning products should be avoided. Day-to-day cleaning can be done using a wet cloth. Smaller scratches can be treated with the product Sidol. It's important to treat the steel countertop with the brush direction. When in doubt, we always recommend consulting a professional.

### Material details

Variants Non-directional brushed (Decor 800)  
Longitude brushed

Thickness 5 mm / 7/32"

Surface finish Brushed

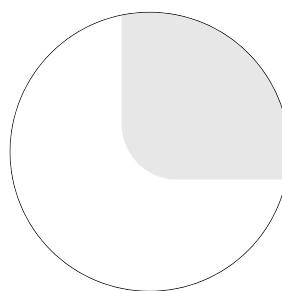
Countertop 5 mm / 7/32" solid stainless steel

Core -

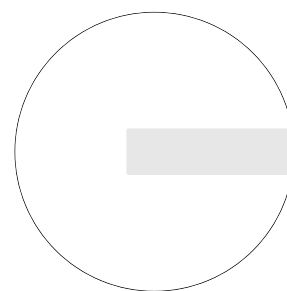
Edgeband -

Please note that measurements may vary according to material tolerances.

### Top and side view of countertop



Radius 2 mm / 3/32"



Chamfer 0.25 mm / 1/32"



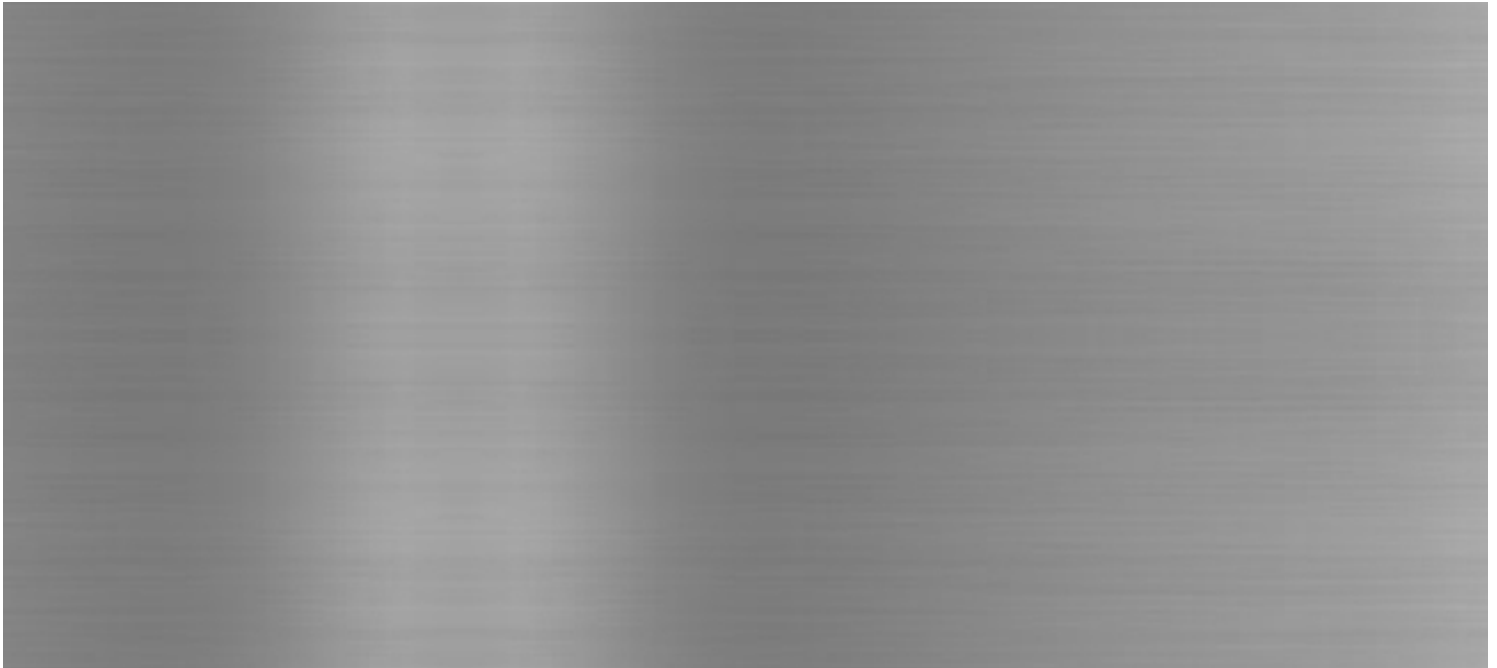
# COLORS AND MATERIALS

## Stainless Steel

---



Non-directional brushed (Decor 800)



Longitude brushed