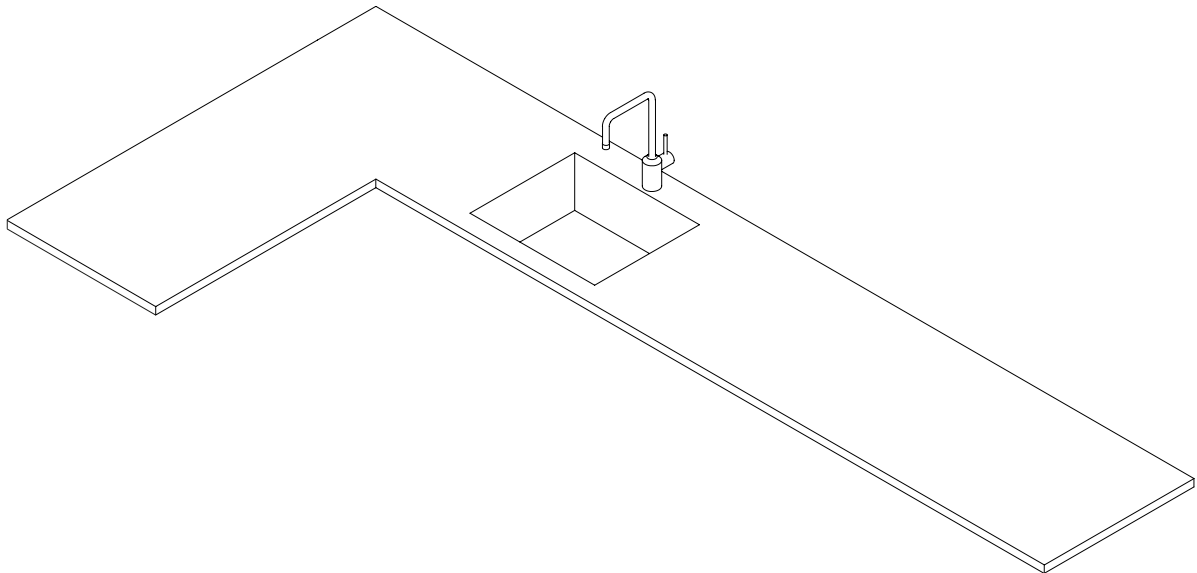


COUNTERTOP FACT SHEET

LINOLEUM



LINOLEUM



One of the most central benefits of owning a linoleum countertop is its ability to withstand the wear of daily life. A composite of naturally occurring elements (linseed oil and resin), linoleum is an organic, vibrant material. This creates less impact on the environment while lending it a natural patination process that elevates your kitchen as you live with the material and apply the wear of your everyday routines.

Good to know

The material is antistatic, antibacterial and it doesn't attract dust. Linoleum comes with the natural ability to repair itself and heal small scratches on its surface. It also retains its matte surface despite frequent use and wear over longer periods of time. The material's organic properties make it prone to permanent damage when exposed to higher temperatures above 70°C. Likewise, exposing a linoleum countertop to acidic items and sharp objects can cause harm and blemishes. It's important to wipe off your linoleum countertop when spilling occurs.

Care & maintenance

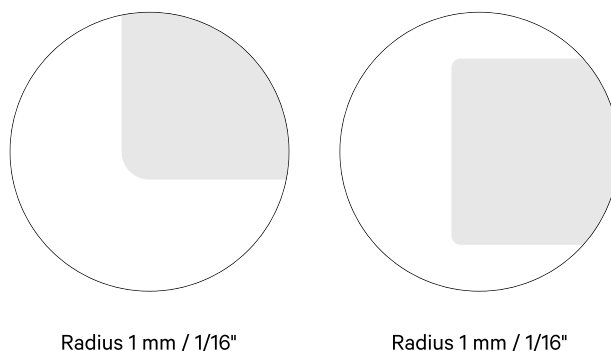
Linoleum should be cleaned with a pH neutral detergent and preferably linoleum cleaner. It's a good idea to occasionally apply a linoleum care product to the linoleum countertop. This makes the surface more resilient and resistant to wear and impact.

Material details

Variants	Multiple colours
Thickness	20 mm / 13/16"
Surface finish	-
Countertop	2 mm / 3/32" Forbo furniture linoleum
Core	18 mm / 3/32" standard MDF
Edgeband	3 mm / 1/8" natural solid European oak 3 mm / 1/8" smoked solid European oak

Please note that measurements may vary according to material tolerances.

Top and side view of countertop





COLORS AND MATERIALS

Linoleum



Mushroom



Vapour



Smokey Blue



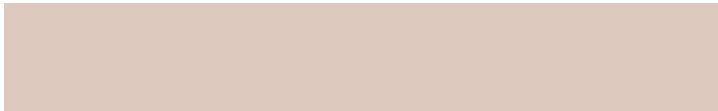
Iron



Mauve



Salsa



Powder



Conifer



Midnight Blue



Pebble



Ash



Pewter



Charcoal



Nero



Burgundy



Pistachio



Olive