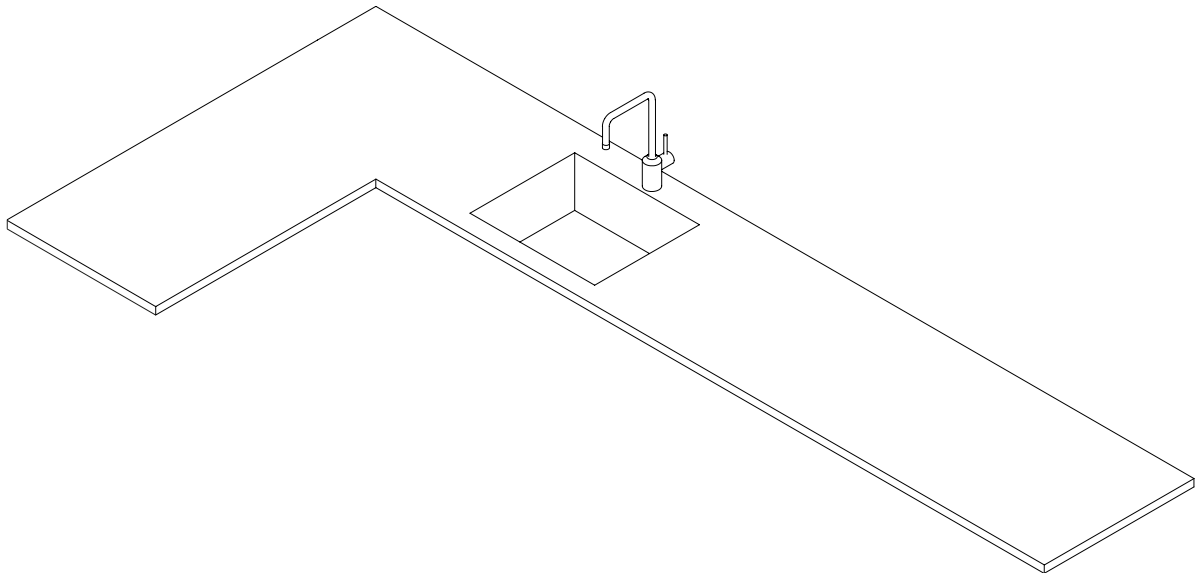


COUNTERTOP FACT SHEET

GETACORE



GETACORE



GetaCore is a mineral composite countertop, which has been heated and then cooled twice to ensure that the final countertop retains its shape and becomes resistant to shock. Mineral countertops are versatile with a range of possibilities for realizing new forms and solutions. The GetaCore surface is non-porous, which makes it hygienic as bacteria are prevented from developing in the countertop. It has a silky, matte surface that feels warm to the touch.

Good to know

All stains should be removed immediately to ensure longevity and maintain an even, undamaged surface. The GetaCore countertop can be ordered with a welded GetaCore sink, making it the ideal choice for the GODMORGON module from IKEA. The sink has the following dimensions: W: 499 x D: 312 mm x H: 85 mm. Please note that the GetaCore countertop is only available within the EU, UK and Norway.

Care & maintenance

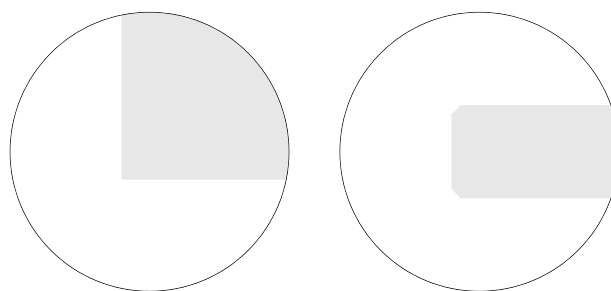
Daily cleaning is done with a clean cloth soaked in warm water. For grease and similar stains, a cloth with a normal household detergent can be applied. Abrasive or acidic products should be avoided.

Material details

Variants	Titan White
Thickness	10 mm / 13/32"
Surface finish	-
Countertop	10 mm / 13/32" solid mineral composite
Core	-
Edgeband	-

Please note that measurements may vary according to material tolerances.

Top and side view of countertop



Straight

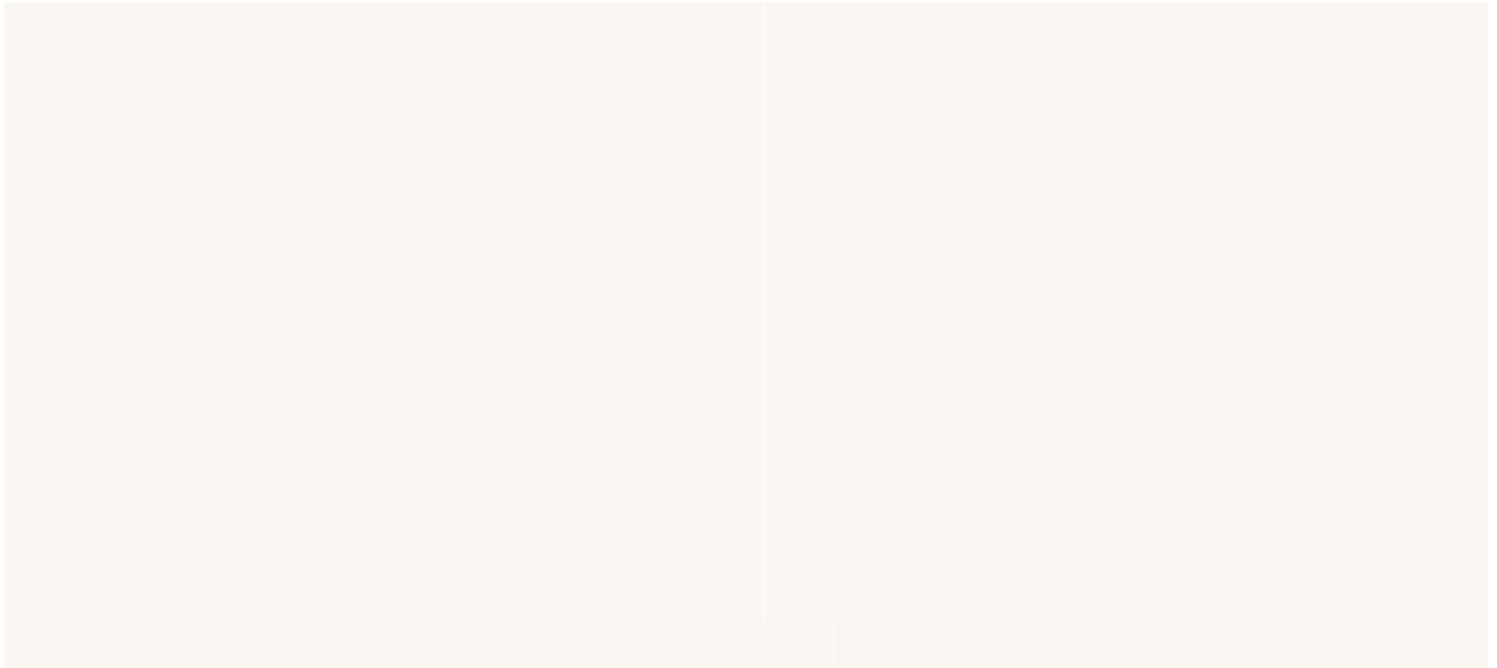
Chamfer 1x1 mm / 1/16" x 1/16"



Reform

COLORS AND MATERIALS

Getacore



Titan White

Reform