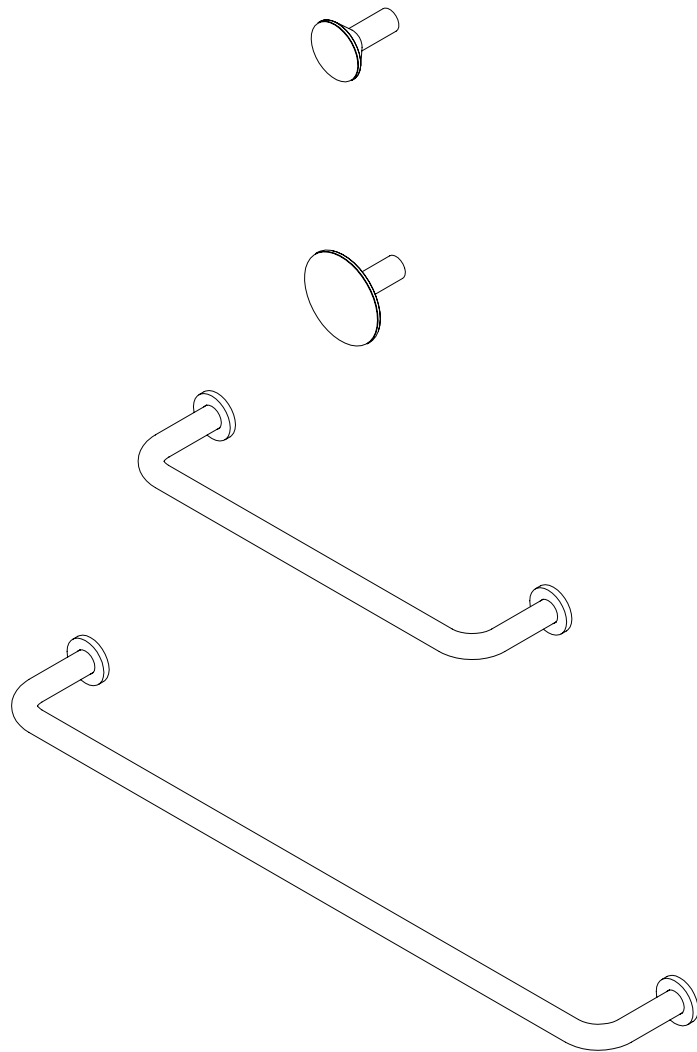


PRODUCT FACT SHEET

CLASSIC HANDLES



INTRO

The CLASSIC handle collection features knobs and handles. Available in two different sizes, both the handle and knob come in the finishes: stainless steel, dark metal or brass. All handles are compatible with PLAIN and SHAKER collections.

Our CLASSIC handles are made from a solid rod of either brass or stainless steel which ensures that all handles are very durable and tolerate impact from daily use. However, each material comes with unique features and characteristics.

Handles in stainless steel endures external impact without affecting the surface. Handles in brass will patinate over time, but can quickly be restored to its natural shine using polish. Handles in oxidated brass have been treated with a black burnish treatment which adds to a raw and unique look. A matte lacquer ensures that the handles will maintain their distinct character over time.



CLASSIC Knob Small



CLASSIC Knob Large



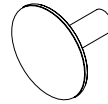
CLASSIC Handle Small



CLASSIC Handle Large

SPECIFICATIONS

CLASSIC KNOB



Knobs

Variants	CLASSIC Knob Small CLASSIC Knob Large
Dimensions	Ø 18 mm / 23/32" Ø 28 mm / 1 3/32"
Depth	21 mm / 27/32"
Materials	Stainless steel Brass Dark metal (oxidated brass)

Care and maintenance

Stainless steel

The surface of stainless steel is smooth and solid and thus easy to maintain. Daily cleaning is easily done with a clean, damp cloth and wiped with a dry cloth to avoid limescale deposits. The surface is non-porous and thus neither soaks liquids nor dirt. It is therefore a very spot-resistant surface. Spots that have dried out on the surface may be removed with lukewarm water mixed with a mild detergent.

Brass

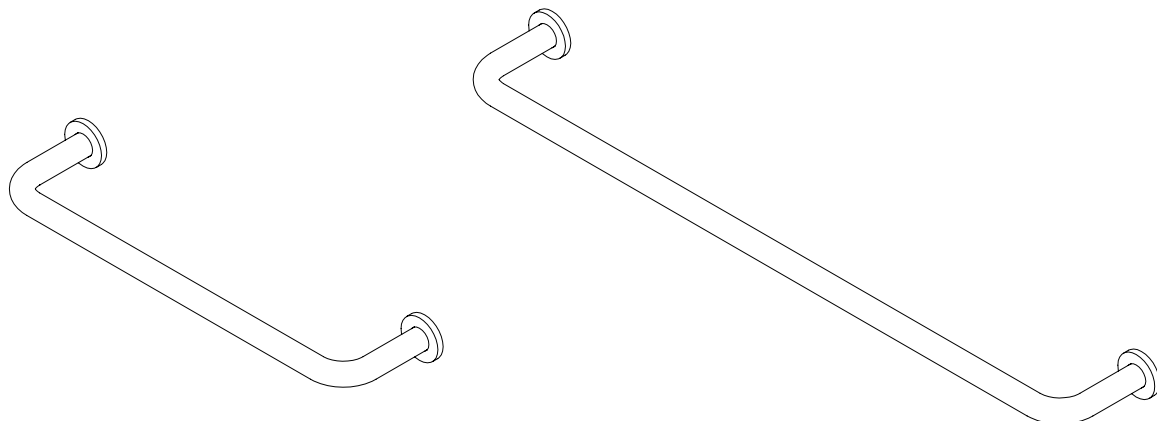
The idea of having raw brass is to make it patinate over time which gives a unique appearance. This means that handles should only be daily cleaned with a soft cloth wrung in warm water and normal, mild household detergent.

In case the customers wish to polish the brass handles, we recommend using Brasso. The instructions should be followed carefully. It is also important to mention, that the customer should cover the design panel, so the polishing agent will not make any stains. It is recommended to cover the surface with (low/mild adhesive) masking tape.

Dark metal (oxidated brass)

The surface is sealed with a matt clear lacquer and can be cleaned with a soft cloth wrung in warm water and normal, mild household detergent.

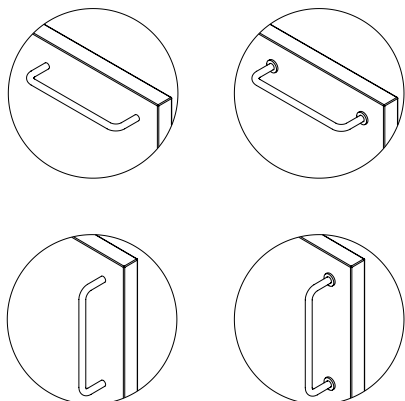
SPECIFICATIONS CLASSIC HANDLE



Handles

Variants	CLASSIC Handle Small CLASSIC Handle Large
Dimensions	L 128 mm / 5 1/32" L 224 mm / 8 13/16"
Depth	34 mm / 1 11/32"
Materials	Stainless steel Brass Dark metal (oxidated brass)

The handles can either be placed horizontally or vertically. It is optional whether you want to use the included collar washers or not.



Care and maintenance

Stainless steel

The surface of stainless steel is smooth and solid and thus easy to maintain. Daily cleaning is easily done with a clean, damp cloth and wiped with a dry cloth to avoid limescale deposits. The surface is non-porous and thus neither soaks liquids nor dirt. It is therefore a very spot-resistant surface. Spots that have dried out on the surface may be removed with lukewarm water mixed with a mild detergent.

Brass

The idea of having raw brass is to make it patinate over time which gives a unique appearances. This means that handles should only be daily cleaned with a soft cloth wrung in warm water and normal, mild household detergent.

In case the customers wish to polish the brass handles, we recommend using Brasso. The instructions should be followed carefully. It is also important to mention, that the customer should cover the design panel, so the polishing agent will not make any stains. It is recommended to cover the surface with (low/mild adhesive) masking tape.

Dark metal (oxidated brass)

The surface is sealed with a matt clear lacquer and can be cleaned with a soft cloth wrung in warm water and normal, mild household detergent.

COLORS AND MATERIALS

Metal



Stainless steel



Dark metal (oxidated brass)



Brass